



AVA TECH

LIGHTING THAT SELLS

Spot light



Chill
page 8



Chill X SM
page 12



Chill X SP
page 16



Chill X SP3PH
page 20



Mio 3PH-D
page 24



Mio 3PH
page 28



Mio 1PH
page 32



Mio SM
page 36



Rony
page 40



Tor
page 44



Iris
page 48



Iris S
page 52



Gefest
page 56



Molo
page 60



Molo L
page 64

Linear light



Plano 2.0 3PH
page 68



Plano 3.0 3PH
page 72



Plano 2.0 Space
page 76



Plano 3.0 Space
page 80



Plano 2.0 BI
page 84



FastLine 3PH-D
page 88



FastLine Space 3PH
page 92



Komo 3PH
page 96



Komo
page 100



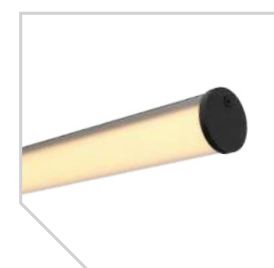
Komo 2.0
page 104



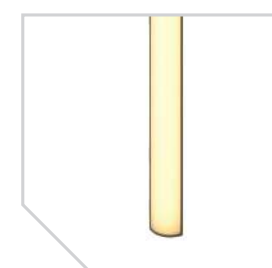
Linda
page 108



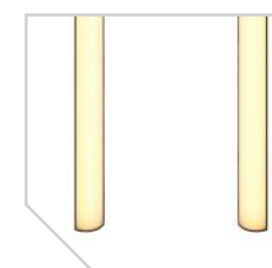
Baseline
page 112



Astra S
page 116



Mirror X1
page 120



Mirror X2
page 124



Alba
page 128

COMPANY INFORMATION

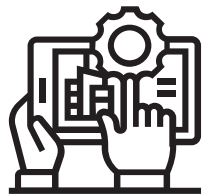
AVA TECH is a manufacturer of professional comprehensive lighting solutions for retail. Our mission is to make your business efficient and successful through customized lighting concepts. We know how to use lighting to precisely highlight key points, attract customers' attention, increase your sales, and enhance the presentation of products in any segment.

AVA TECH designers and engineers independently design, develop, and bring to life the design of our lighting fixtures. Unique design combined with high technical performance is what distinguishes our products and emphasizes the individuality of your brand.

12 <small>Years on the market</small>	120+ <small>Top specialists</small>
400+ <small>Client companies in Europe</small>	7000+ <small>Completed projects of various sizes and scales</small>



Own production and warehouse



Development of new products and solutions



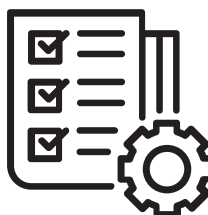
Customized project for each site



Team of professionals



Global suppliers of components



More than 7000 completed projects



☰ SERVICES

Lighting Design

Planning, development, construction, and lighting calculation are the key tasks for creating high-quality lighting design. Proper lighting creates a unique atmosphere, draws attention, intrigues, and plays with the customer's mood. Such lighting helps you highlight the right product among similar ones. **AVA TECH** knows how to create lighting design concepts with soul and purpose, tailored to any customer's needs. Our lighting will showcase your product in the best possible way and help increase sales.

Our company consists of true professionals in the field. We offer **LED lighting directly from the manufacturer** on the most favorable terms. The selection is made from a wide range of products, and we are also ready to offer an extensive list of services.



Installation, Supervision, and Lighting Setup

Installation and setup of lighting are integral parts of a well-executed lighting solution. **AVA TECH** specialists will install the lighting according to the project and adjust the fixtures to ensure the light performs its tasks with maximum precision. If you prefer to carry out the installation yourself, you can take advantage of our supervision service. Our specialist will visit the site and provide technical oversight and organizational guidance during the installation performed by the customer's staff.



Control Systems

With our automatic control systems, you will gain access to managing various domestic processes in your property. The control systems allow you to monitor operations under different conditions and help reduce maintenance costs. Using Human-Centric Lighting technology, we create biologically effective lighting that dynamically adjusts brightness and color temperature throughout the day to align with human circadian rhythms. **AVA TECH** specialists will help you select a property control system tailored to your specific requirements and needs.





DESCRIPTION

The Chill luminaire offers state-of-the-art accent lighting in a sleek, modern design.

Engineered with a specialized MIRO-Silver® reflector and complemented by an anti-glare ring, the Chill ensures optimal light distribution while providing visual comfort.



Anti-glare ring: for increased visual comfort provided by the honeycomb filter.



Small body size. The lamp is ideal for any interior and will not distract unnecessary attention.



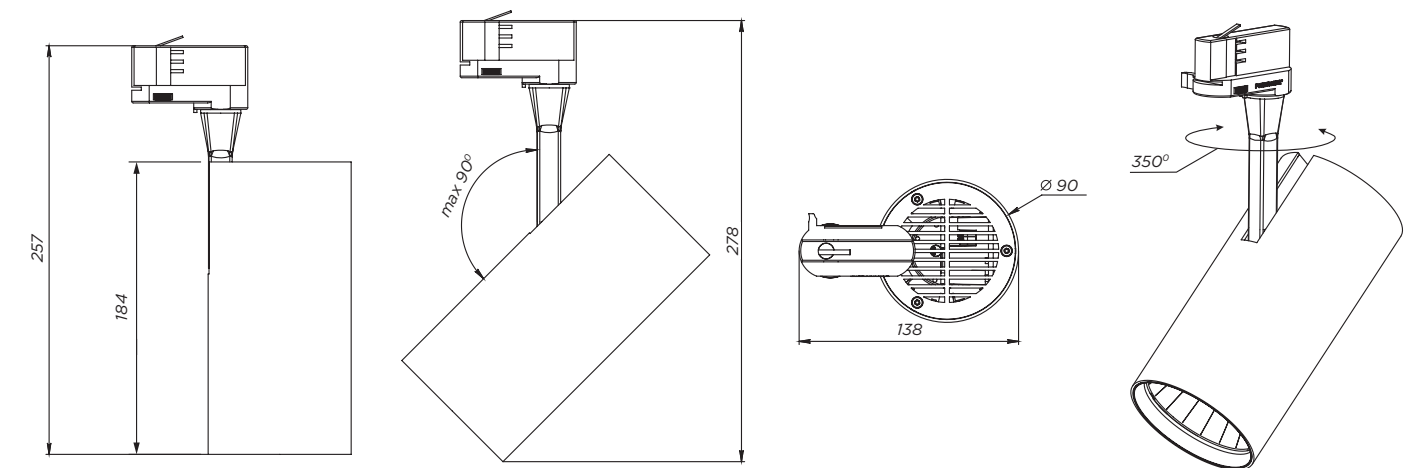
Large selection of opening angles. With the help of various reflectors, the luminaire can create a narrow or wide beam of accent light.



General specifications

Type of luminaire	Spot (spot light module)
Application areas	Accent lighting
Supply unit	LED Driver integrated
Nominal voltage	230V, 50Hz
Lighting technology	LED COB
Optic	Aluminum reflector MIRO-Silver®
Power factor	0,95
Cooling	passive
Body	aluminum
Weight	1,24 kg
Package	Single / group
Life time	50 000 hours
Warranty	5 years/50 000 hours
Certification	CE, UKCA, UA

Dimensions



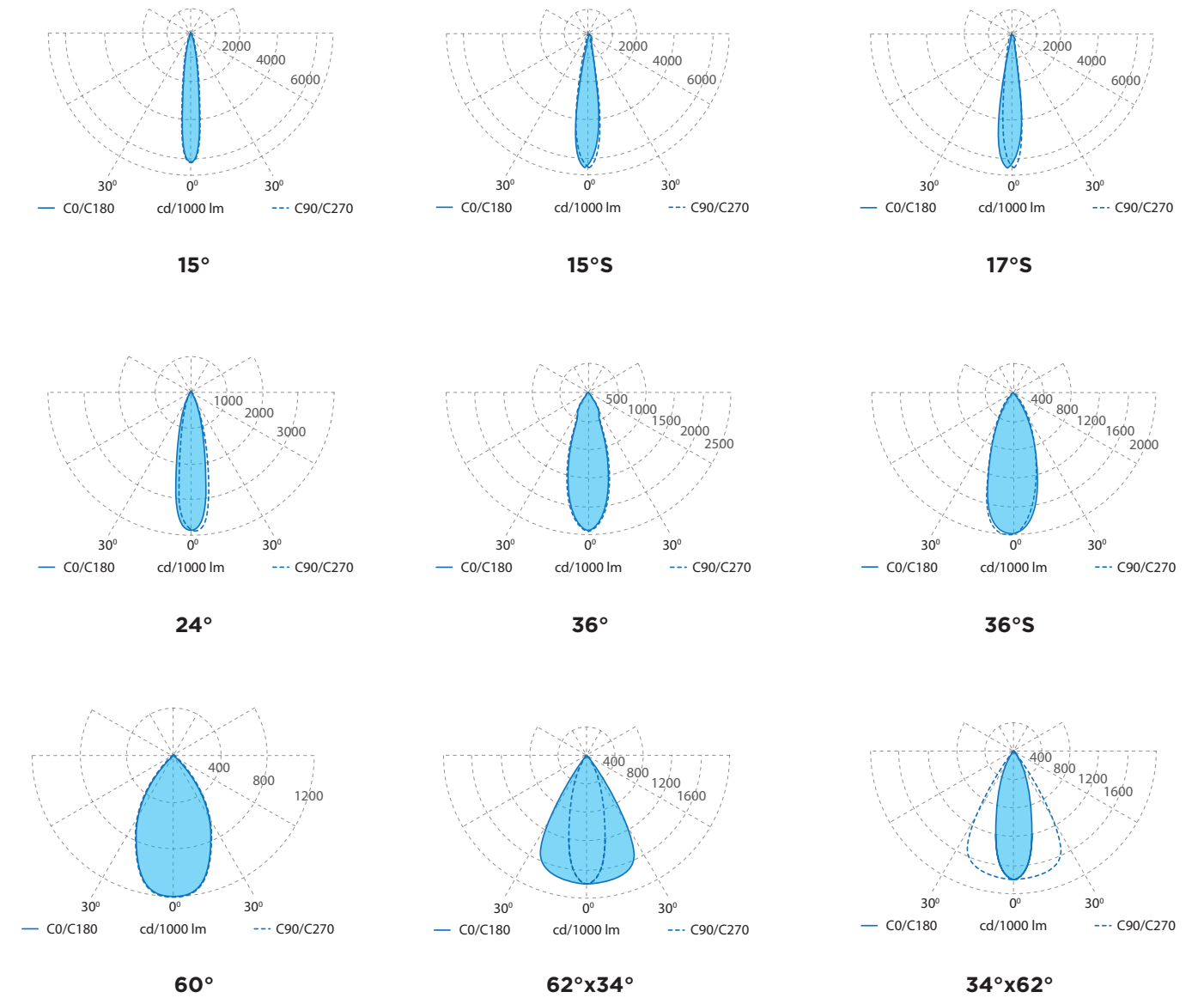
Scope of application



Nomenclature

Luminaire SPOT Chill									
Order Type	Luminaire Filter Type	Luminaire Beam Angle	Luminaire Power, W	Luminaire Color Rendering Index (CRI)	Luminaire Color Temperature, K	Special Luminaire Light	Luminaire Mounting Type	Luminaire IP Rating	Luminaire Housing Color
SO	HF	15° 15°S 17°S 24° 36° 36°S 60° 62°x34° 34°x62°	13 15 17 19 22 24 27 30 32 34	8 9	3000 3500 4000 2700 3000 3500 4000	meat red meat white meat vivid elite bread bread vivid bakery cheese vegetables&fruits vegetables&fruits vivid fish white fish vivid fish premium color 3000 bright color 3000 bright color 3500 true white premium white 3000 premium white 3500 premium white 4000	3PH 1PH	IP21	BL black RAL 9005 WH white RAL9016

Beam angle



The deviation of actual power consumption from the specified values does not exceed ±5%;
The luminous flux calculation is based on LEDs with a color temperature of 4000K, CRI80. The deviation of luminous flux from the specified values does not exceed ±10%

Technical details, as well as size and weight parameters were prepared as accurately as possible. All dimensions in mm. LED Lifetime Information - L90 / B10 at 25 °C ambient temperature. A tolerance of +/- 10% applies to luminous flux and performance characteristics. Minimum color rendering indices Ra > 80 / > 90. Product images are used as an example and may differ from the original. We reserve the right to make changes in order to improve the product.

Chill X SM



SPOT



DESCRIPTION

The surface-mounted Chill X SM is ideal for general lighting in retail spaces. It is installed directly on the ceiling, providing uniform ambient lighting without adjustable direction.

Its minimalist design makes it a versatile solution for shops, showrooms, and public spaces.



Surface-mounted installation: Easily mounted to the ceiling, providing even general lighting.



Anti-glare ring: for increased visual comfort provided by the honeycomb filter.



Wide range of beam angles: Different reflectors allow the light to create either a narrow or wide beam of accent light.

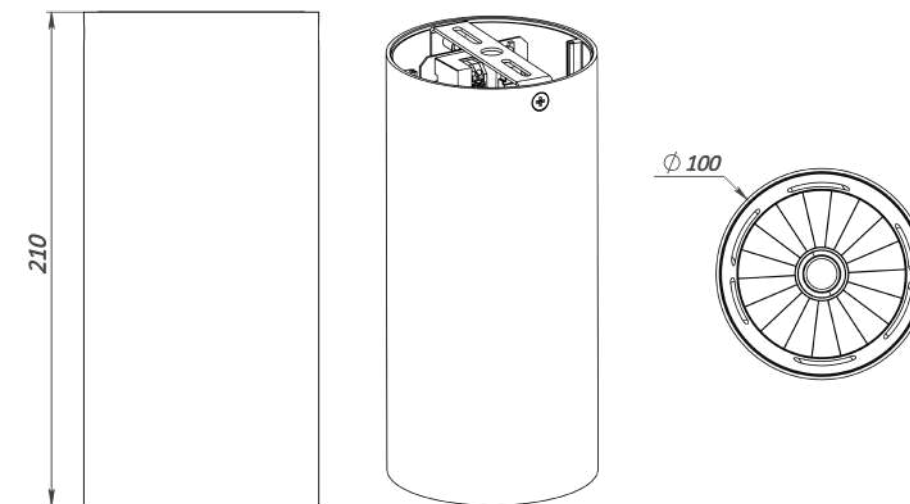


website

General specifications

Type of luminaire	Spot (spot light module)
Application areas	Accent lighting
Supply unit	LED Driver integrated
Nominal voltage	230V, 50Hz
Lighting technology	LED COB
Optic	Aluminum reflector MIRO-Silver®
Power factor	0,95
Cooling	passive
Body	aluminum
Weight	0.95 kg
Package	Single / group
Life time	50 000 hours
Warranty	5 years/50 000 hours
Certification	CE, UKCA, UA

Dimensions



Scope of application



Chill X SM

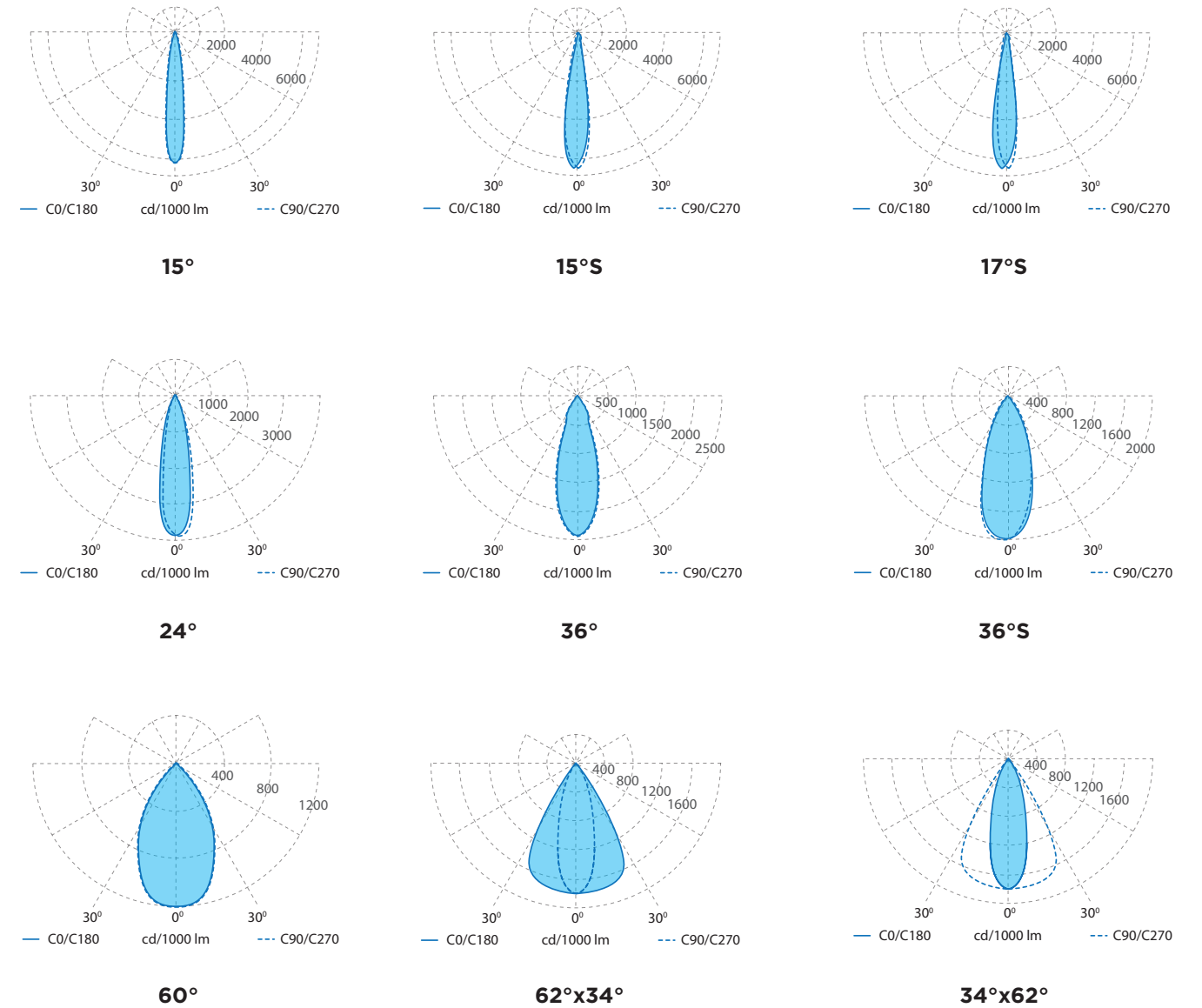


SPOT

Nomenclature

Luminaire SPOT Chill X									
	SO	24°	13W	830	SM	IP21	WH		
Order Type	Luminaire Filter Type	Luminaire Beam Angle	Luminaire Power, W	Luminaire Color Rendering Index (CRI)	Luminaire Color Temperature, K	Special Luminaire Light	Luminaire Mounting Type	Luminaire IP Rating	Luminaire Housing Color
SO	HF	15°	13	8	3000	meat red meat white meat vivid elite bread bread vivid bakery cheese vegetables&fruits vegetables&fruits vivid fish white fish vivid fish premium color 3000 bright color 3000 bright color 3500 bright color 4000 true white premium white 3000 premium white 3500 premium white 4000	SM	IP21	BL black RAL 9005 WH white RAL 9016
		15°S	15		3500				
		17°S	17	4000					
		24°	19	9	2700				
		36°	22		3000				
		36°S	24		3500				
		60°	27		4000				
		62°x34°	30						
		34°x62°	35						

Beam angle



The deviation of actual power consumption from the specified values does not exceed ±5%;
The luminous flux calculation is based on LEDs with a color temperature of 4000K, CRI80. The deviation of luminous flux from the specified values does not exceed ±10%

Technical details, as well as size and weight parameters were prepared as accurately as possible. All dimensions in mm. LED Lifetime Information - L90 / B10 at 25 °C ambient temperature. A tolerance of +/- 10% applies to luminous flux and performance characteristics. Minimum color rendering indices Ra > 80 / > 90. Product images are used as an example and may differ from the original. We reserve the right to make changes in order to improve the product.

Chill X SP



SPOT



DESCRIPTION

The suspended Chill X SP is a perfect choice for illuminating food displays.

Its adjustable mounting height ensures precise lighting for delicatessen counters, seafood, meat, cheese, freezers, and other merchandise. A sleek black cable suspension adds a refined touch to retail interiors.



Adjustable height: The height of the light can be adjusted for optimal accent lighting.



Anti-glare ring: for increased visual comfort provided by the honeycomb filter.



Wide range of beam angles: Various reflectors allow the light to produce either a narrow or wide beam of accent light.

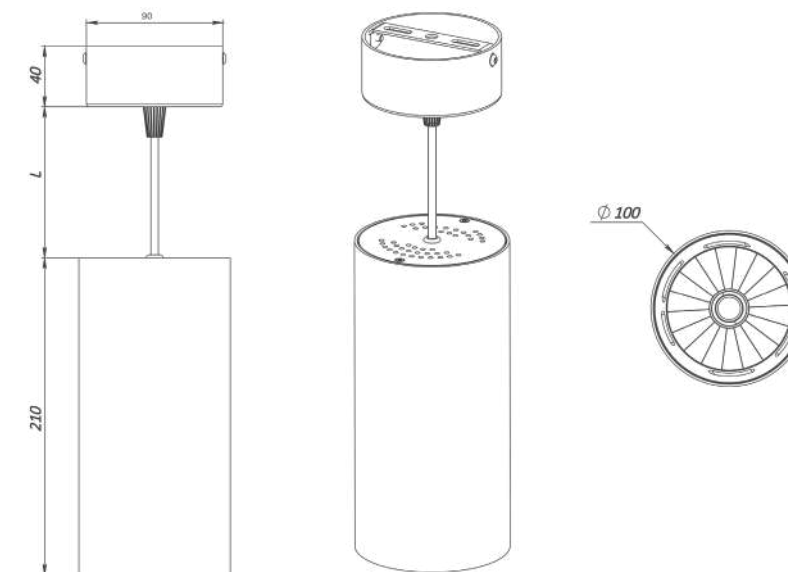


website

General specifications

Type of luminaire	Spot (spot light module)
Application areas	Accent lighting
Supply unit	LED Driver integrated
Nominal voltage	230V, 50Hz
Lighting technology	LED COB
Optic	Aluminum reflector MIRO-Silver®
Power factor	0,95
Cooling	passive
Body	aluminum
Weight	1.35 kg
Package	Single / group
Life time	50 000 hours
Warranty	5 years/50 000 hours
Certification	CE, UKCA, UA

Dimensions



Scope of application



Chill X SP

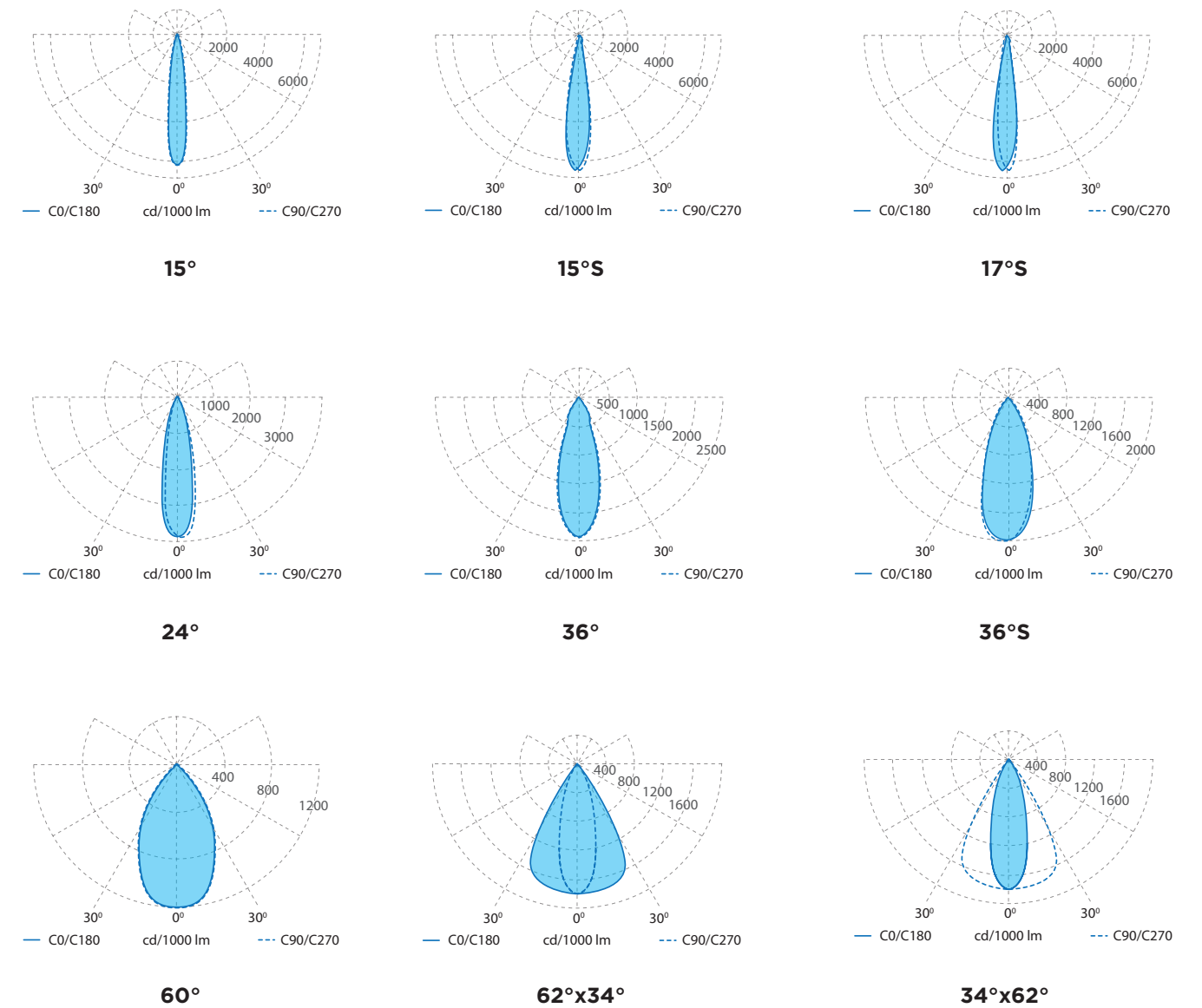


SPOT

Nomenclature

Luminaire SPOT Chill X										
Order Type	Nominal length of a linear luminaire	Luminaire Filter Type	Luminaire Beam Angle	Luminaire Power, W	Luminaire Color Rendering Index (CRI)	Luminaire Color Temperature, K	Special Luminaire Light	Luminaire Mounting Type	Luminaire IP Rating	Luminaire Housing Color
SO	500 1000 1500	HF	15° 15°S 17°S 24° 36°S 36°S 60° 62°x34° 34°x62°	13 15 17 19 22 24 27 30 35	8 9	3000 3500 4000 2700 3000 3500 4000	meat red meat white meat vivid elite bread bread vivid bakery cheese vegetables&fruits vegetables&fruits vivid fish white fish vivid fish premium color 3000 bright color 3000 bright color 3500 bright color 4000 true white premium white 3000 premium white 3500 premium white 4000	SP	IP21	BL black RAL 9005 WH white RAL 9016

Beam angle



The deviation of actual power consumption from the specified values does not exceed ±5%;
The luminous flux calculation is based on LEDs with a color temperature of 4000K, CRI80. The deviation of luminous flux from the specified values does not exceed ±10%

Technical details, as well as size and weight parameters were prepared as accurately as possible. All dimensions in mm. LED Lifetime Information - L90 / B10 at 25 °C ambient temperature. A tolerance of +/- 10% applies to luminous flux and performance characteristics. Minimum color rendering indices Ra > 80 / > 90. Product images are used as an example and may differ from the original. We reserve the right to make changes in order to improve the product.

Chill X SP3PH



SPOT



DESCRIPTION

The versatile Chill X SP3PH is designed for track lighting systems in shops and retail halls.

Its track-mounted suspension adapter allows for easy repositioning and height adjustment, ensuring effective illumination of products. The focused light highlights product details, making them more visually appealing to customers.



Adjustable height:
The height of the light can be adjusted for optimal accent lighting.



Ideal for product display cases: Perfect for lighting product display cases, such as culinary items, cheeses, fish, etc.



Wide range of beam angles:
Various reflectors allow the light to produce either a narrow or wide beam of accent light.

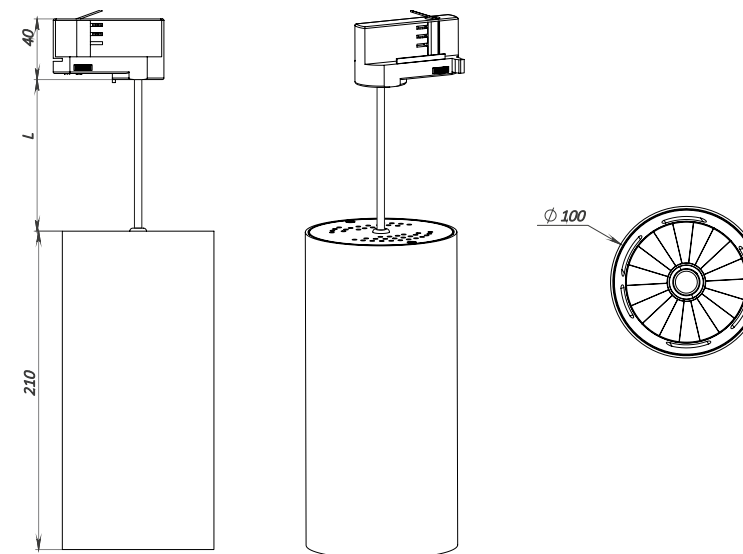


website

General specifications

Type of luminaire	Spot (spot light module)
Application areas	Accent lighting
Supply unit	LED Driver integrated
Nominal voltage	230V, 50Hz
Lighting technology	LED COB
Optic	Aluminum reflector MIRO-Silver®
Power factor	0,95
Cooling	passive
Body	aluminum
Weight	1.12 kg
Package	Single / group
Life time	50 000 hours
Warranty	5 years/50 000 hours
Certification	CE, UKCA, UA

Dimensions



Scope of application



Chill X SP3PH

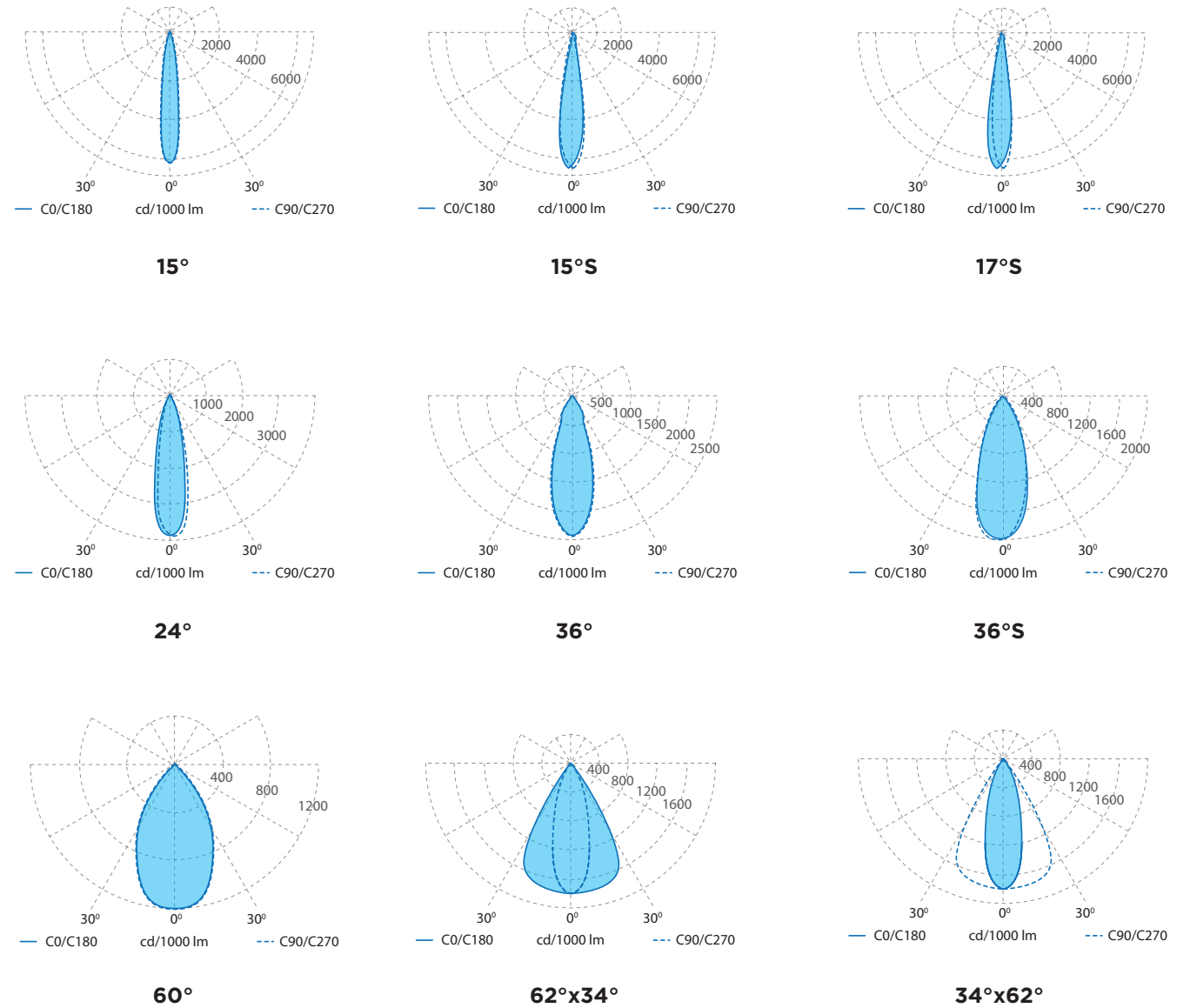


SPOT

Nomenclature

Luminaire SPOT Chill X										
Order Type	Nominal length of a linear luminaire, mm	Luminaire Filter Type	Luminaire Beam Angle	Luminaire Power, W	Luminaire Color Rendering Index (CRI)	Luminaire Color Temperature, K	Special Luminaire Light	Luminaire Mounting Type	Luminaire IP Rating	Luminaire Housing Color
SO	500 1000 1500	HF	15° 15°S 17°S 24° 36° 36°S 60° 62°x34° 34°x62°	13 15 17 19 22 24 27 30 35	8 9	3000 3500 4000 2700 3000 3500 4000	meat red meat white meat vivid elite bread bread vivid bakery cheese vegetables&fruits vegetables&fruits vivid fish white fish vivid fish premium color 3000 bright color 3000 bright color 3500 bright color 4000 true white premium white 3000 premium white 3500 premium white 4000	SP3PH SP1PH	IP21	BL black RAL 9005 WH white RAL 9016

Beam angle



The deviation of actual power consumption from the specified values does not exceed ±5%;
The luminous flux calculation is based on LEDs with a color temperature of 4000K, CRI80. The deviation of luminous flux from the specified values does not exceed ±10%

Technical details, as well as size and weight parameters were prepared as accurately as possible. All dimensions in mm. LED Lifetime Information - L90 / B10 at 25 °C ambient temperature. A tolerance of +/- 10% applies to luminous flux and performance characteristics. Minimum color rendering indices Ra > 80 / > 90. Product images are used as an example and may differ from the original. We reserve the right to make changes in order to improve the product.

Mio 3PH-D



SPOT



DESCRIPTION

Mio 3PH-D — a technically well-engineered luminaire designed for a three-phase track system. In this model, the driver is positioned outside the housing, ensuring more efficient cooling and simplifying installation. It is suitable for large spaces with high requirements for both aesthetics and functionality.

An optional version with a segmented reflector made of MIRO-Silver® material (designation S) is available, increasing luminous efficiency up to 97%.



Anti-glare ring: for increased visual comfort provided by the honeycomb filter. Small body size.



Small body size. The lamp is ideal for any interior and will not distract unnecessary attention.



Large selection of opening angles. With the help of various reflectors, the luminaire can create a narrow or wide beam of accent light.

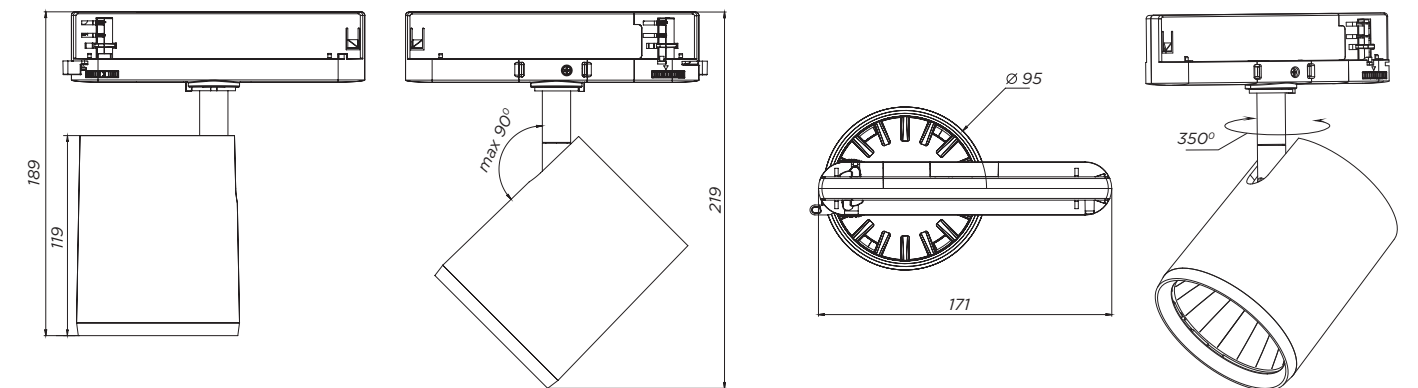


website

General specifications

Type of luminaire	Spot (spot light module)
Application areas	Accent lighting
Supply unit	LED Driver integrated
Nominal voltage	230V, 50Hz
Lighting technology	LED COB
Optic	Aluminum reflector MIRO-Silver®
Power factor	0,95
Cooling	passive
Body	aluminum
Weight	0,54 kg
Package	Single / group
Life time	50 000 hours
Warranty	5 years/50 000 hours
Certification	CE, UKCA, UA

Dimensions



Scope of application



Mio 3PH-D

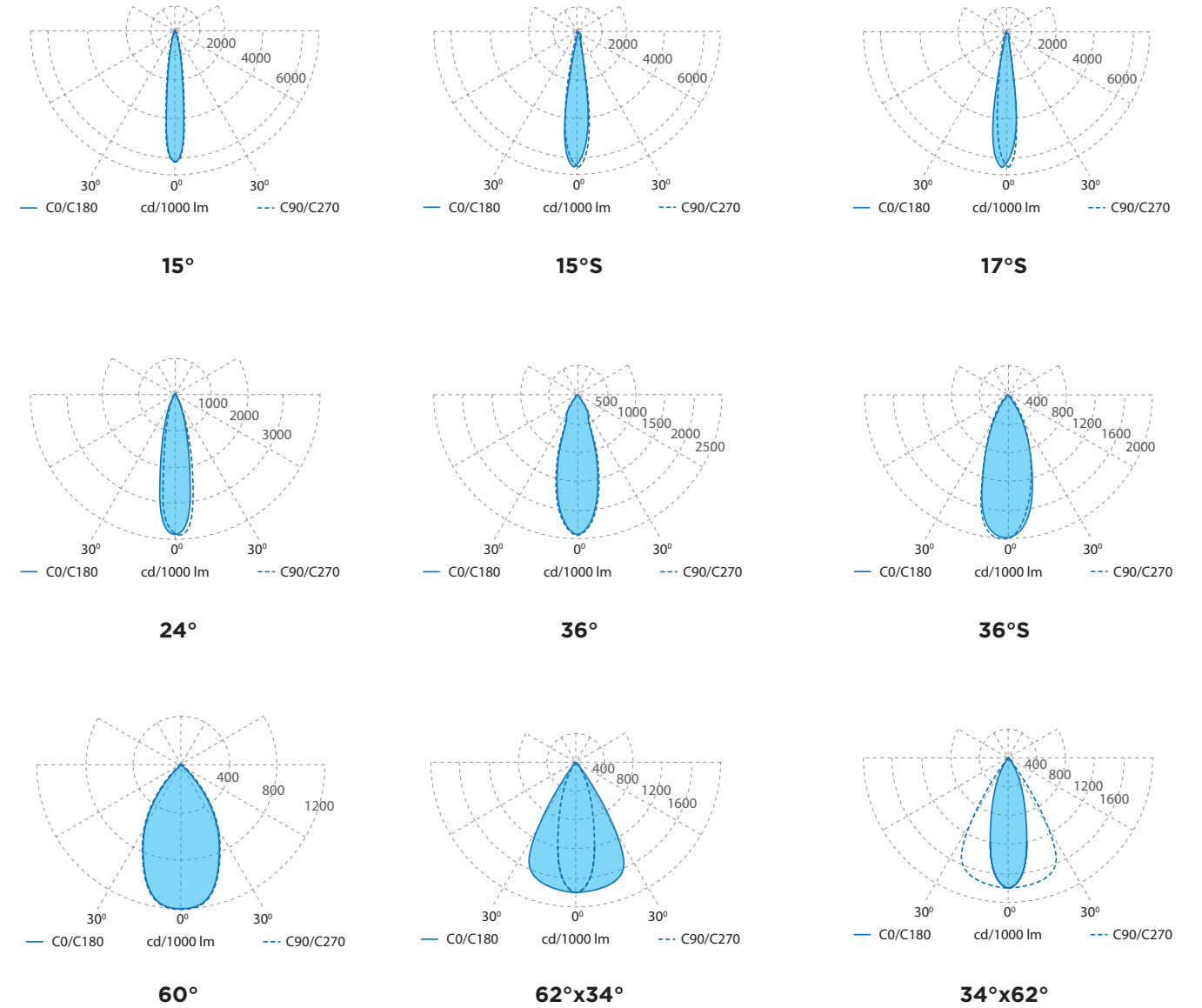


SPOT

Nomenclature

Luminaire SPOT Mio									SO	60°	22W	840	3PH-D	IP21	BL
Order Type	Luminaire Filter Type	Luminaire Beam Angle	Luminaire Power, W	Luminaire Color Rendering Index (CRI)	Luminaire Color Temperature, K	Special Luminaire Light	Luminaire Mounting Type	Luminaire IP Rating	Luminaire Housing Color						
SO	HF	15°	13	8	3000	meat red meat white meat vivid elite bread bread vivid bakery cheese vegetables&fruits vegetables&fruits vivid fish white fish vivid fish premium color 3000 bright color 3000 bright color 3500 bright color 4000 true white premium white 3000 premium white 3500 premium white 4000	3PH-D	IP21	BL black RAL 9005 WH white RAL9016						
		15°S	15		3500										
		17°S	17	4000											
		24°	19	9	2700										
		36°	22		3000										
		36°S	24	3500											
		60°	27	4000											
		62°x34°	30												
		34°x62°	32												

Beam angle



The deviation of actual power consumption from the specified values does not exceed ±5%;
The luminous flux calculation is based on LEDs with a color temperature of 4000K, CRI80. The deviation of luminous flux from the specified values does not exceed ±10%

Technical details, as well as size and weight parameters were prepared as accurately as possible. All dimensions in mm. LED Lifetime Information - L90 / B10 at 25 °C ambient temperature. A tolerance of +/- 10% applies to luminous flux and performance characteristics. Minimum color rendering indices Ra > 80 / > 90. Product images are used as an example and may differ from the original. We reserve the right to make changes in order to improve the product.

Mio 3PH



SPOT



DESCRIPTION

Mio 3PH — a modern, compact accent luminaire. An ideal solution for spacious retail stores, showrooms and sales areas. Thanks to the three-phase track connection, it allows the load to be distributed across three circuits, which is particularly relevant for spaces with a large number of luminaires.

An optional version with a segmented reflector made of MIRO-Silver® material (designation S) is available, increasing luminous efficiency up to 97%.



Anti-glare ring: for increased visual comfort provided by the honeycomb filter.



Small body size. The lamp is ideal for any interior and will not distract unnecessary attention.



Large selection of opening angles. With the help of various reflectors, the luminaire can create a narrow or wide beam of accent light.

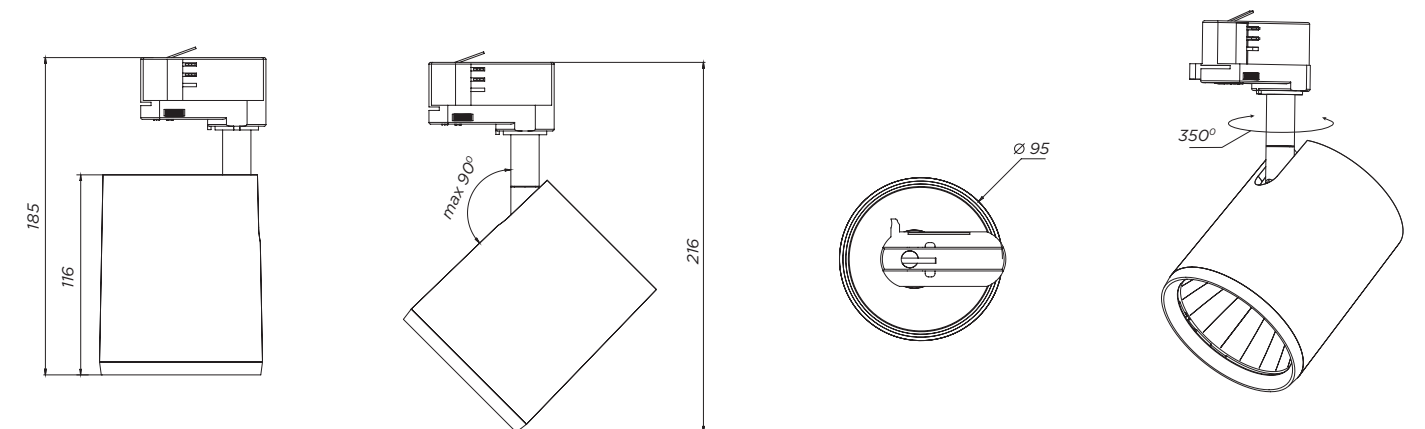


website

General specifications

Type of luminaire	Spot (spot light module)
Application areas	Accent lighting
Supply unit	LED Driver integrated
Nominal voltage	230V, 50Hz
Lighting technology	LED COB
Optic	Aluminum reflector MIRO-Silver®
Power factor	0,95
Cooling	passive
Body	aluminum
Weight	0,54 kg
Package	Single / group
Life time	50 000 hours
Warranty	5 years/50 000 hours
Certification	CE, UKCA, UA

Dimensions



Scope of application



Mio 3PH

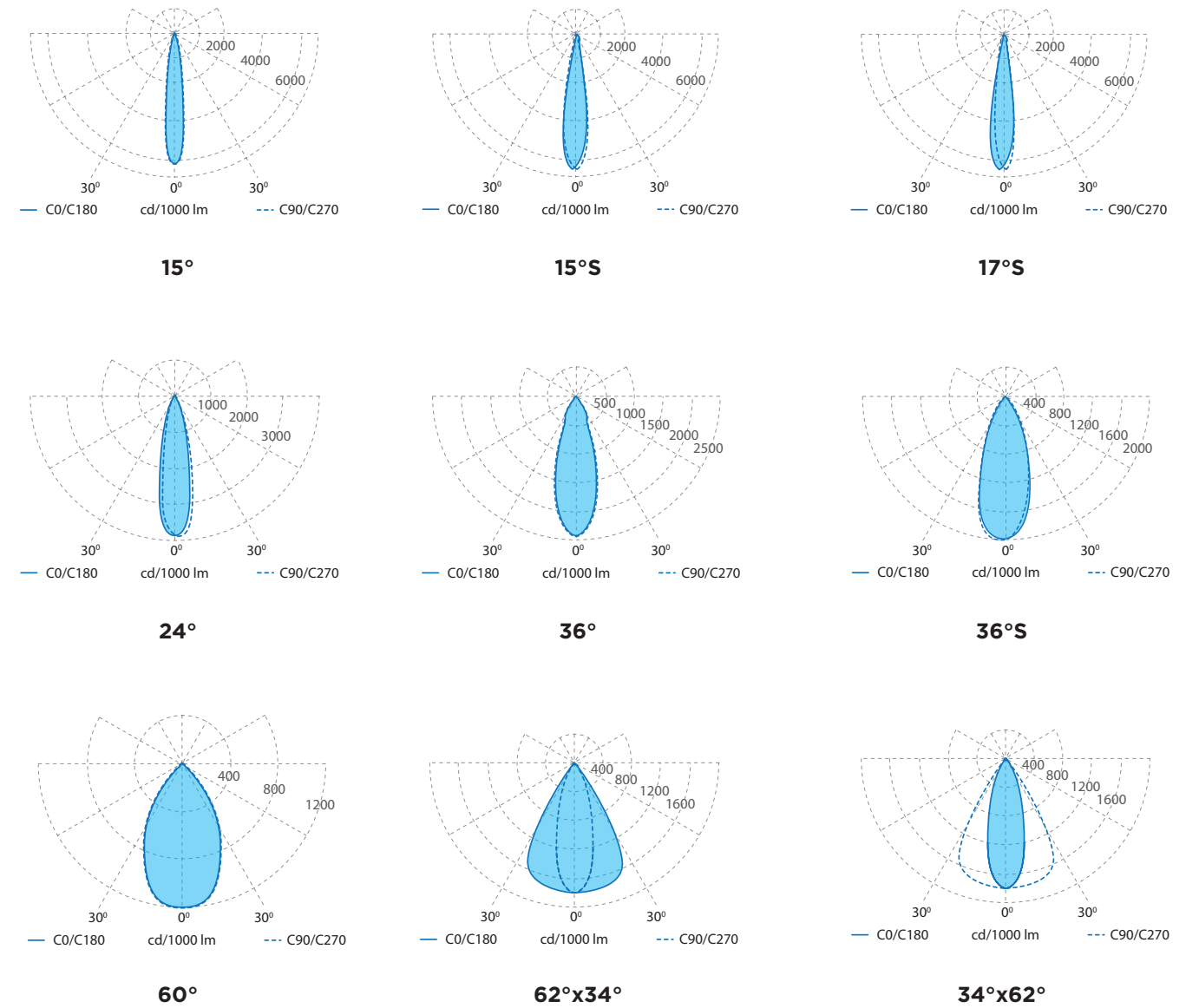


SPOT

Nomenclature

Luminaire SPOT Mio									SO	60°	22W	840	3PH	IP21	BL
Order Type	Luminaire Filter Type	Luminaire Beam Angle	Luminaire Power, W	Luminaire Color Rendering Index (CRI)	Luminaire Color Temperature, K	Special Luminaire Light	Luminaire Mounting Type	Luminaire IP Rating	Luminaire Housing Color						
SO	HF	15°	9	8	3000	meat red	3PH	IP21	BL black RAL 9005						
		15°S	13							3500					
		17°S	19	9	2700	meat white	3PH	IP21	WH white RAL9016						
		24°	22							3000					
		36°	22	9	3000	bread	3PH	IP21	WH white RAL9016						
		36°S								3500					
		60°	22	9	4000	bread vivid	3PH	IP21	WH white RAL9016						
		62°x34°								2700					
		34°x62°	3500	9	4000	bakery	3PH	IP21	WH white RAL9016						
						cheese	3PH	IP21	WH white RAL9016						
						vegetables&fruits	3PH	IP21	WH white RAL9016						
						vegetables&fruits vivid	3PH	IP21	WH white RAL9016						
						fish white	3PH	IP21	WH white RAL9016						
						fish vivid	3PH	IP21	WH white RAL9016						
						fish	3PH	IP21	WH white RAL9016						
						premium color 3000	3PH	IP21	WH white RAL9016						
						bright color 3000	3PH	IP21	WH white RAL9016						
						bright color 3500	3PH	IP21	WH white RAL9016						
						bright color 4000	3PH	IP21	WH white RAL9016						
						true white	3PH	IP21	WH white RAL9016						
						premium white 3000	3PH	IP21	WH white RAL9016						
						premium white 3500	3PH	IP21	WH white RAL9016						
						premium white 4000	3PH	IP21	WH white RAL9016						

Beam angle



The deviation of actual power consumption from the specified values does not exceed ±5%;
The luminous flux calculation is based on LEDs with a color temperature of 4000K, CRI80. The deviation of luminous flux from the specified values does not exceed ±10%

Technical details, as well as size and weight parameters were prepared as accurately as possible. All dimensions in mm. LED Lifetime Information - L90 / B10 at 25 °C ambient temperature. A tolerance of +/- 10% applies to luminous flux and performance characteristics. Minimum color rendering indices Ra > 80 / > 90. Product images are used as an example and may differ from the original. We reserve the right to make changes in order to improve the product.

Mio 1PH



SPOT



DESCRIPTION

Mio 1PH features a compact, contemporary design and meets the highest standards of accent lighting. Designed for a single-phase track system, it is an ideal choice for smaller spaces with a moderate number of luminaires.

An optional version with a segmented reflector made of MIRO-Silver® material (designation S) is available, increasing luminous efficiency up to 97%.



Anti-glare ring: for increased visual comfort provided by the honeycomb filter.



Small body size. The lamp is ideal for any interior and will not distract unnecessary attention.



Large selection of opening angles. With the help of various reflectors, the luminaire can create a narrow or wide beam of accent light.

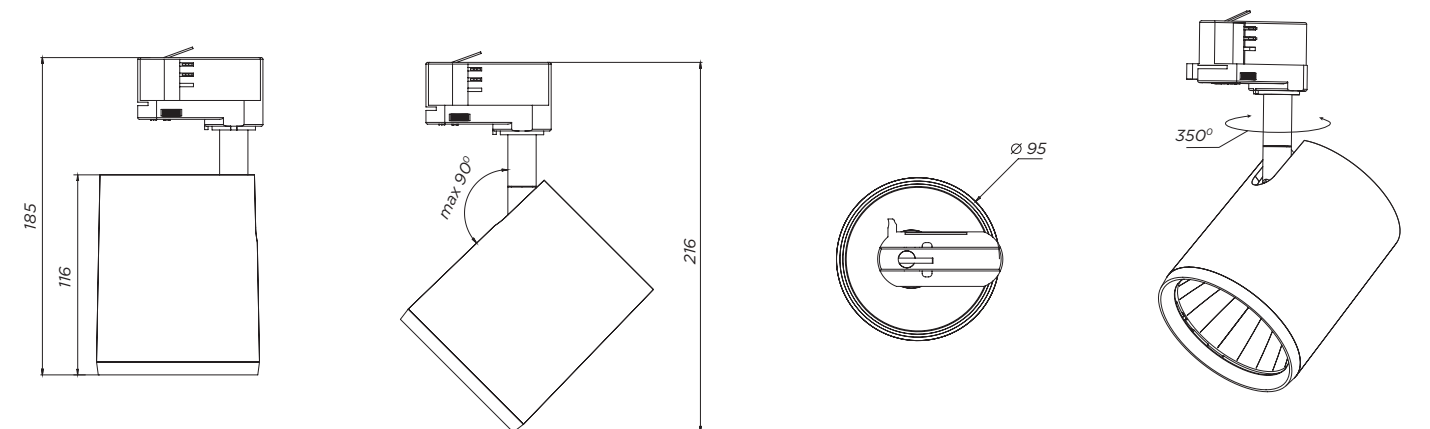


website

General specifications

Type of luminaire	Spot (spot light module)
Application areas	Accent lighting
Supply unit	LED Driver integrated
Nominal voltage	230V, 50Hz
Lighting technology	LED COB
Optic	Aluminum reflector MIRO-Silver®
Power factor	0,95
Cooling	passive
Body	aluminum
Weight	0,54 kg
Package	Single / group
Life time	50 000 hours
Warranty	5 years/50 000 hours
Certification	CE, UKCA, UA

Dimensions



Scope of application



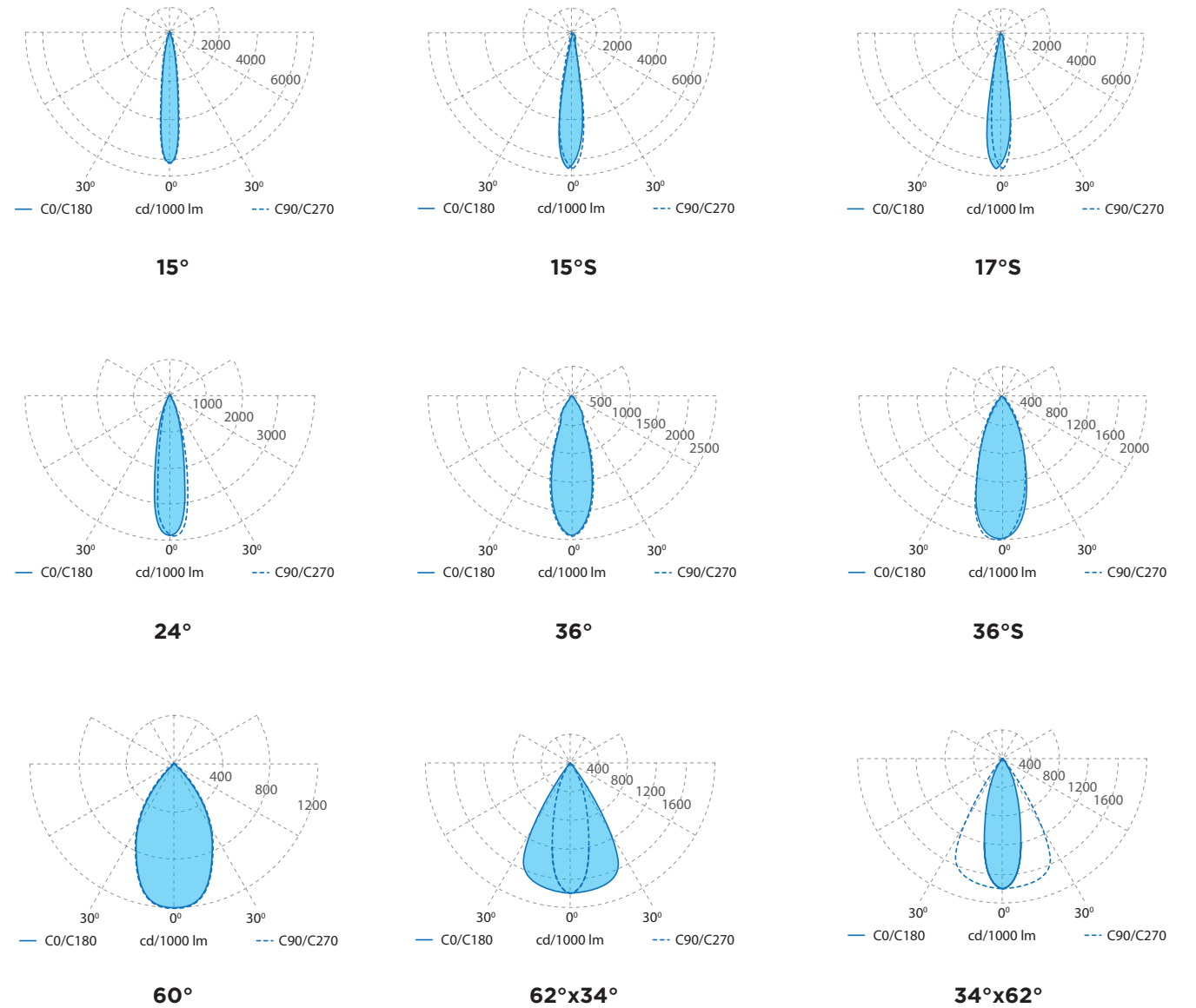
Mio 1PH

SPOT

Nomenclature

Order Type	Luminaire Filter Type	Luminaire Beam Angle	Luminaire Power, W	Luminaire Color Rendering Index (CRI)	Luminaire Color Temperature, K	Special Luminaire Light	Luminaire Mounting Type	Luminaire IP Rating	Luminaire Housing Color
Luminaire SPOT Mio SO 60° 22W 840 1PH IP21 BL									
SO	HF	15° 15°S 17°S 24° 36° 36°S 60° 62°x34° 34°x62°	9 13 19 22	8 9	3000 3500 4000 2700 3000 3500 4000	meat red meat white meat vivid elite bread bread vivid bakery cheese vegetables&fruits vegetables&fruits vivid fish white fish vivid fish premium color 3000 bright color 3000 bright color 3500 bright color 4000 true white premium white 3000 premium white 3500 premium white 4000	1PH	IP21	BL black RAL 9005 WH white RAL9016

Beam angle



The deviation of actual power consumption from the specified values does not exceed ±5%;
The luminous flux calculation is based on LEDs with a color temperature of 4000K, CRI80. The deviation of luminous flux from the specified values does not exceed ±10%

Technical details, as well as size and weight parameters were prepared as accurately as possible. All dimensions in mm. LED Lifetime Information - L90 / B10 at 25 °C ambient temperature. A tolerance of +/- 10% applies to luminous flux and performance characteristics. Minimum color rendering indices Ra > 80 / > 90. Product images are used as an example and may differ from the original. We reserve the right to make changes in order to improve the product.

Mio SM



SPOT



DESCRIPTION

Mio SM a surface-mounted luminaire designed for direct ceiling installation. It is an excellent option for interiors where compact accent lighting is required without suspended elements. An ideal choice for showrooms, galleries and public spaces with open ceilings.

An optional version with a segmented reflector made of MIRO-Silver® material (designation S) is available, increasing luminous efficiency up to 97%.



Anti-glare ring, for increased visual comfort provided by the honeycomb filter.



Small body size. The lamp is ideal for any interior and will not distract unnecessary attention.



Large selection of opening angles. With the help of various reflectors, the luminaire can create a narrow or wide beam of accent light.

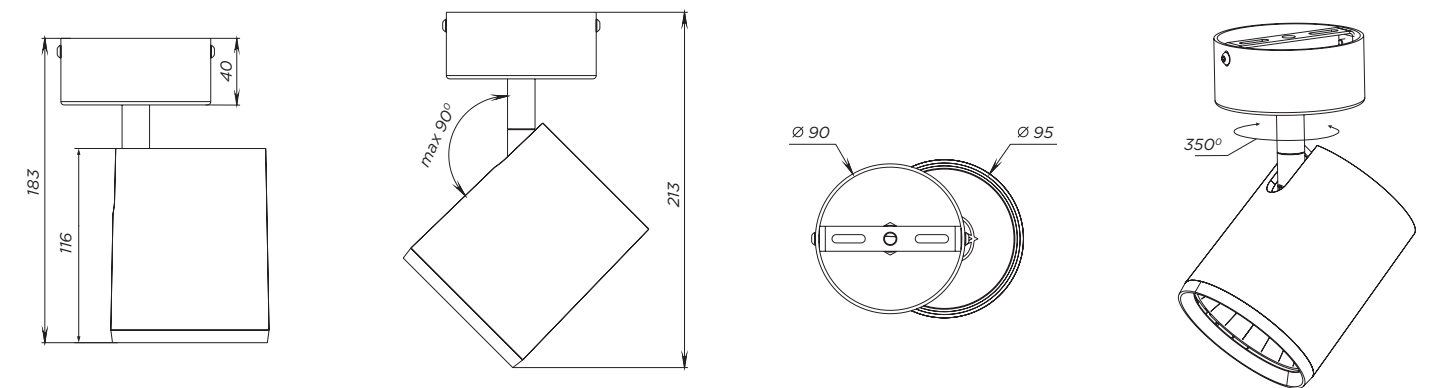


website

General specifications

Type of luminaire	Spot (spot light module)
Application areas	Accent lighting
Supply unit	LED Driver integrated
Nominal voltage	230V, 50Hz
Lighting technology	LED COB
Optic	Aluminum reflector MIRO-Silver®
Power factor	0,95
Cooling	passive
Body	aluminum
Weight	0,54 kg
Package	Single / group
Life time	50 000 hours
Warranty	5 years/50 000 hours
Certification	CE, UKCA, UA

Dimensions



Scope of application



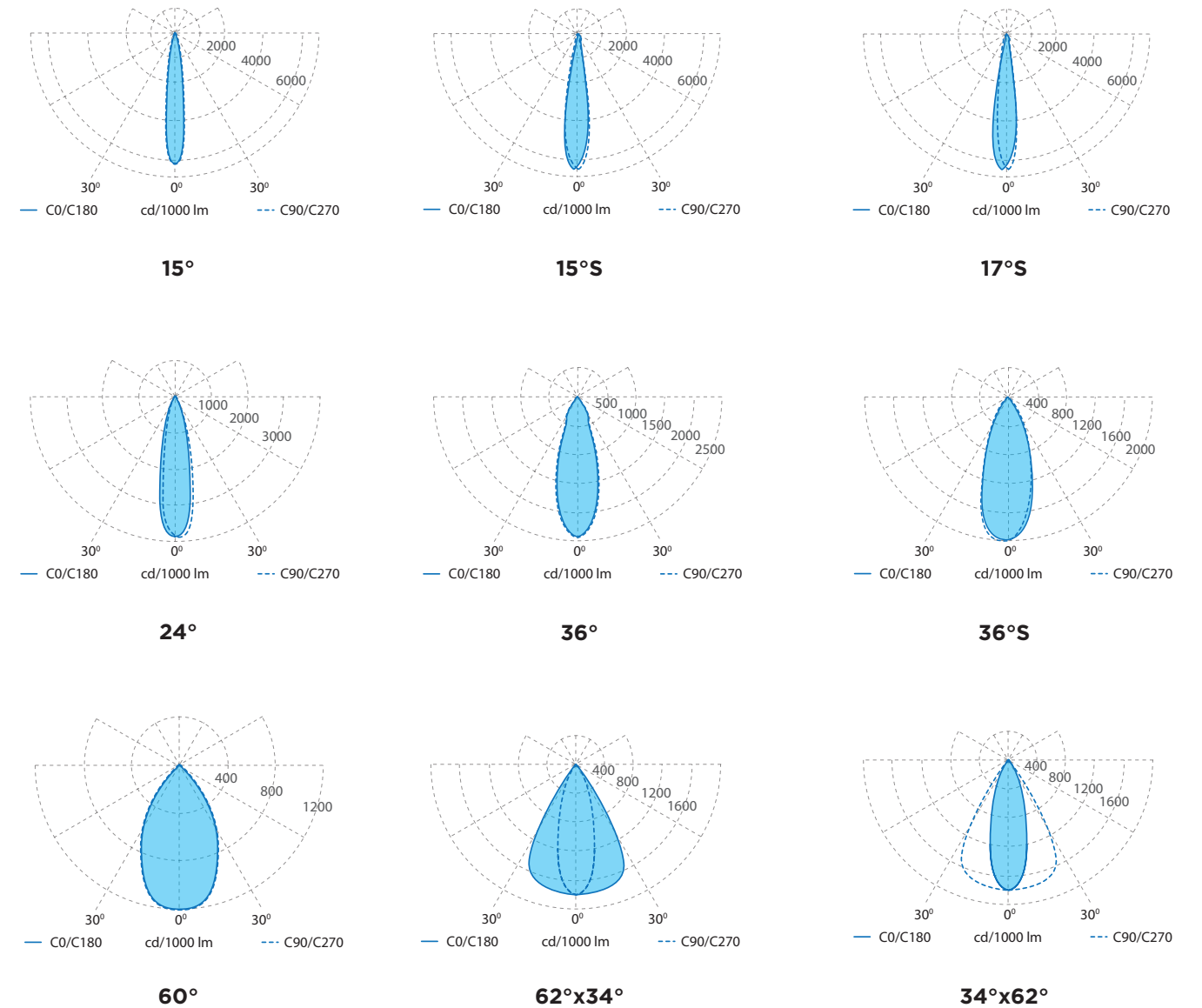
Mio SM

SPOT

Nomenclature

Luminaire SPOT Mio									SO	60°	22W	840	SM	IP21	BL
Order Type	Luminaire Filter Type	Luminaire Beam Angle	Luminaire Power, W	Luminaire Color Rendering Index (CRI)	Luminaire Color Temperature, K	Special Luminaire Light	Luminaire Mounting Type	Luminaire IP Rating	Luminaire Housing Color						
SO	HF	15° 15°S 17°S 24° 36° 36°S 60° 62°x34° 34°x62°	9 13 19 22	8 9	3000 3500 4000 2700 3000 3500 4000	meat red meat white meat vivid elite bread bread vivid bakery cheese vegetables&fruits vegetables&fruits vivid fish white fish vivid fish premium color 3000 bright color 3000 bright color 3500 bright color 4000 true white premium white 3000 premium white 3500 premium white 4000	SM	IP21	BL black RAL 9005 WH white RAL9016						

Beam angle



The deviation of actual power consumption from the specified values does not exceed ±5%;
The luminous flux calculation is based on LEDs with a color temperature of 4000K, CRI80. The deviation of luminous flux from the specified values does not exceed ±10%

Technical details, as well as size and weight parameters were prepared as accurately as possible. All dimensions in mm. LED Lifetime Information - L90 / B10 at 25 °C ambient temperature. A tolerance of +/- 10% applies to luminous flux and performance characteristics. Minimum color rendering indices Ra > 80 / > 90. Product images are used as an example and may differ from the original. We reserve the right to make changes in order to improve the product.



DESCRIPTION

The incredibly powerful Rony spotlight offers up to 8,000 lumens at the same time and, thanks to its deep reflector, creates comfortable lighting.

The need to cool such a powerful lamp determined its original design.

Due to its power, the luminaire can be installed at high heights, and the use of the BatWing reflector makes it possible to simultaneously illuminate two opposite shelves, without creating discomfort for customers.



High power of the luminaire. Power up to 67W - allows you to use fewer luminaires on a project to achieve the same illumination level.



Low UGR. Thanks to the deep reflector of the luminaire, it does not blind the customer.



Ability to use a special spectrum of light sources for products.



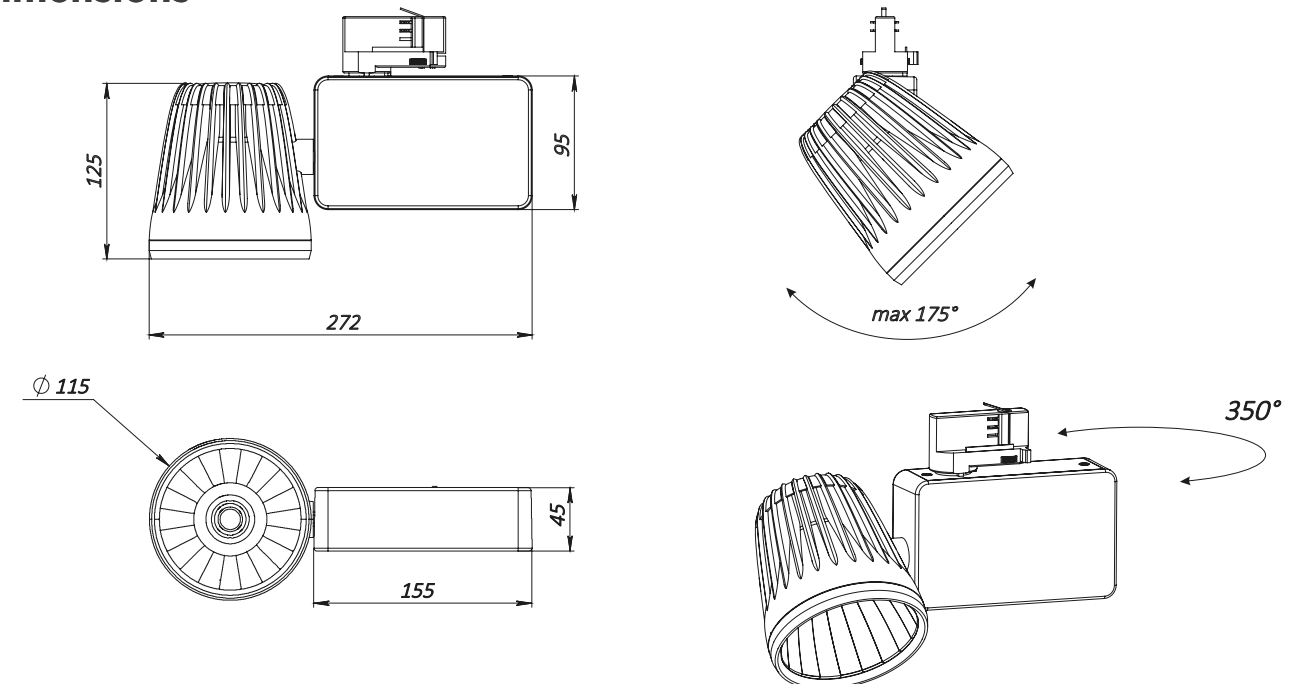
Variety of reflectors for different tasks. The BatWing reflector allows you to illuminate opposite racks without dazzling the customer. The Oval reflector allows you to illuminate more of the required rack area.



General specifications

Type of luminaire	Spot (spot light module)
Application areas	Accent lighting
Supply unit	LED Driver integrated
Nominal voltage	230V, 50Hz
Lighting technology	LED COB
Optic	Aluminum reflector MIRO-Silver®
Power factor	0,95
Cooling	passive
Body	aluminum
Weight	1,2 kg
Package	Single / group
Life time	50 000 hours
Warranty	5 years/50 000 hours
Certification	CE, UKCA, UA

Dimensions



Scope of application

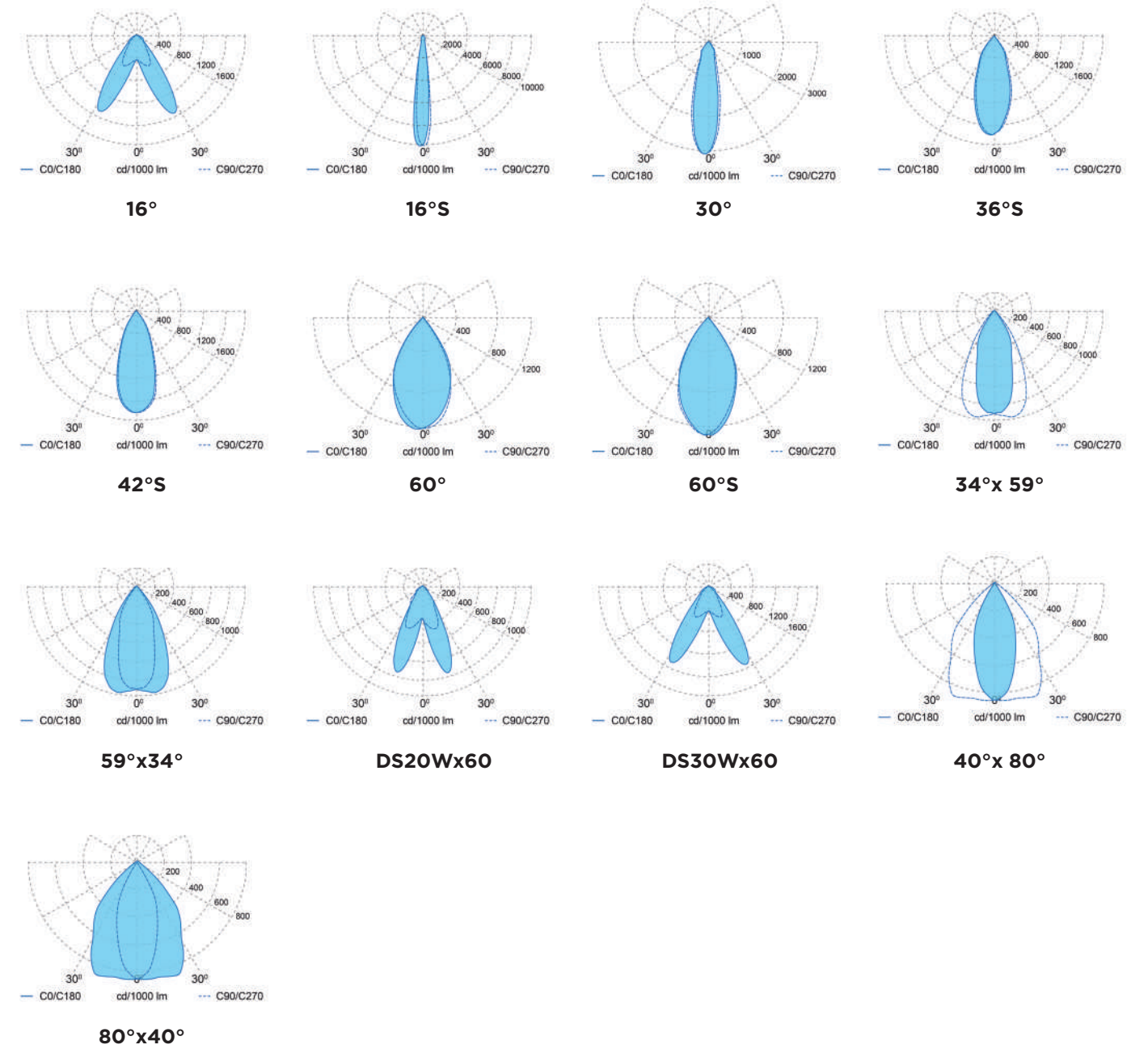


Nomenclature

Luminaire SPOT Rony SO 60° 26W 840 SM IP21 BL

Order Type	Luminaire Filter Type	Luminaire Beam Angle	Luminaire Power, W	Luminaire Color Rendering Index (CRI)	Luminaire Color Temperature, K	Special Luminaire Light	Luminaire Mounting Type	Luminaire IP Rating	Luminaire Housing Color
SO	HF	16°	26	8	3000	meat red meat white meat vivid elite bread bread vivid bakery cheese vegetables&fruits vegetables&fruits vivid fish white fish vivid fish premium color 3000 bright color 3000 bright color 3500 true white premium white 3000 premium white 3500 premium white 4000	3PH	IP21	BL black RAL 9005
		16°S	30		3500				
		30°	34	4000					
		36°S	40	9	2700				
		42°S	49		3000				
		60°	55	3500					
		60°S	59	4000					
		34°x59°	67						
		59°x34°							
		DS20Wx60							
		DS30Wx60							
		40°x80°							
		80°x40°							
80°x40°									
WH white RAL9016									

Beam angle



The deviation of actual power consumption from the specified values does not exceed ±5%;
The luminous flux calculation is based on LEDs with a color temperature of 4000K, CRI80. The deviation of luminous flux from the specified values does not exceed ±10%

Technical details, as well as size and weight parameters were prepared as accurately as possible. All dimensions in mm. LED Lifetime Information - L90 / B10 at 25 °C ambient temperature. A tolerance of +/- 10% applies to luminous flux and performance characteristics. Minimum color rendering indices Ra > 80 / > 90. Product images are used as an example and may differ from the original. We reserve the right to make changes in order to improve the product.



DESCRIPTION

Recessed spotlight for general and accent lighting with impressive features: powerful and extremely flexible, yet small and convenient.

The design of the TOR light fixture allows it to be rotated to highlight a product or blend seamlessly with the ceiling for general room lighting.



Creates focused light.



Power. Allows for fewer fixtures to be used in the project.

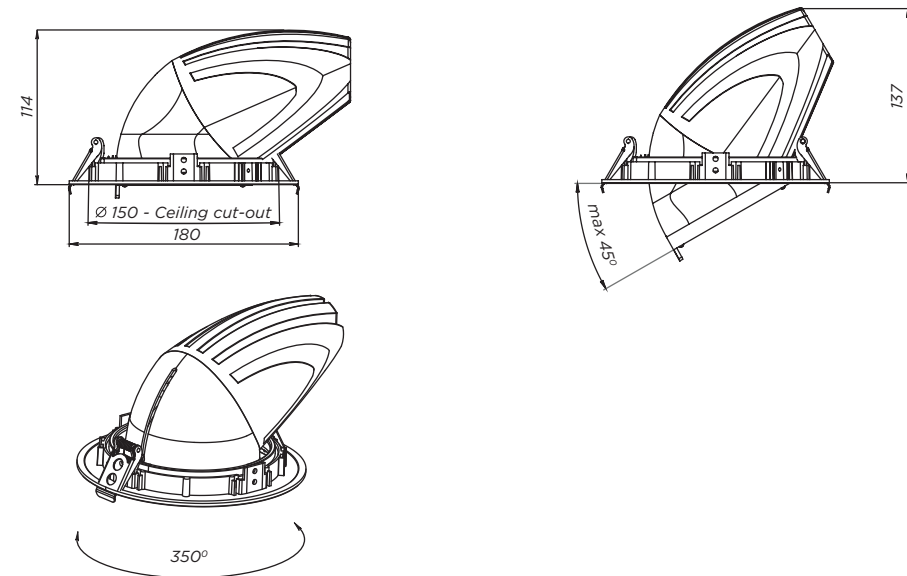


Compactness: The choice for those who seek to maximize their space, while benefiting from an efficient lighting fixture.

General specifications

Type of luminaire	built-in light (light module)
Application areas	accent lighting
Pan/tilt range	350°/45°
Supply unit	LED Driver
Nominal voltage	230V, 50Hz
Lighting technology	LED COB
Optic	aluminum reflector MIRO-Silver®
Power factor	0,95
Cooling	passive
Body	aluminum/steel
Weight	0,8 kg
Package	single/group
Life time	50 000 hours
Warranty	5 years/50 000 hours
Certification	CE, UKCA, UA

Dimensions



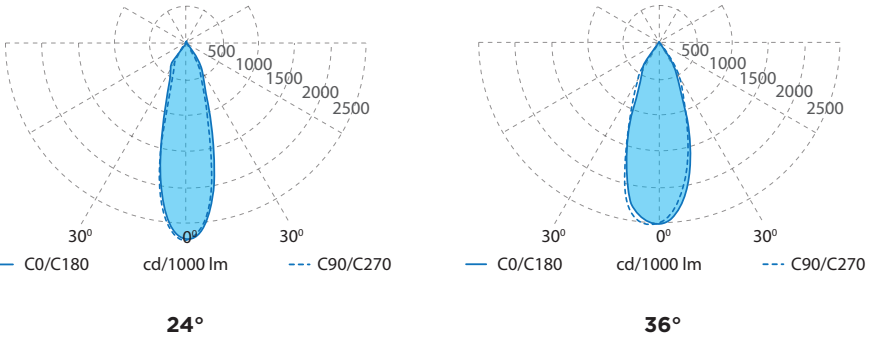
Scope of application



Nomenclature

Luminaire SPOT Tor								
Order Type	Luminaire Beam Angle	Luminaire Power, W	Luminaire Color Rendering Index (CRI)	Luminaire Color Temperature, K	Special Luminaire Light	Luminaire Mounting Type	Luminaire IP Rating	Luminaire Housing Color
SO	24° 36°	13 19 22 24 27 30 32	8 9	3000 3500 4000 2700 3000 3500 4000	meat red meat white meat vivid elite bread bread vivid bakery cheese vegetables&fruits vegetables&fruits vivid fish white fish vivid fish premium color 3000 bright color 3000 bright color 3500 true white premium white 3000 premium white 3500 premium white 4000	BI	IP21	BL black RAL 9005 WH white RAL9016

Beam angle



The deviation of actual power consumption from the specified values does not exceed ±5%;
The luminous flux calculation is based on LEDs with a color temperature of 4000K, CRI80. The deviation of luminous flux from the specified values does not exceed ±10%

Technical details, as well as size and weight parameters were prepared as accurately as possible. All dimensions in mm. LED Lifetime Information - L90 / B10 at 25 °C ambient temperature. A tolerance of +/- 10% applies to luminous flux and performance characteristics. Minimum color rendering indices Ra > 80 / > 90. Product images are used as an example and may differ from the original. We reserve the right to make changes in order to improve the product.



DESCRIPTION

Iris is a spot luminaire with a modern, minimal design, created for precise accent lighting in commercial interiors.

Engineered for quick, straightforward installation, it delivers clean, controlled illumination and helps highlight key products or zones with confidence.

Iris features a rotatable spotlight head that enables precise accent lighting and flexible beam direction.



Modern, compact design: A clean form that blends into contemporary interiors.



Easy installation: Designed for fast, hassle-free mounting on site.



High output: Strong performance that can reduce the number of fixtures required in a project.

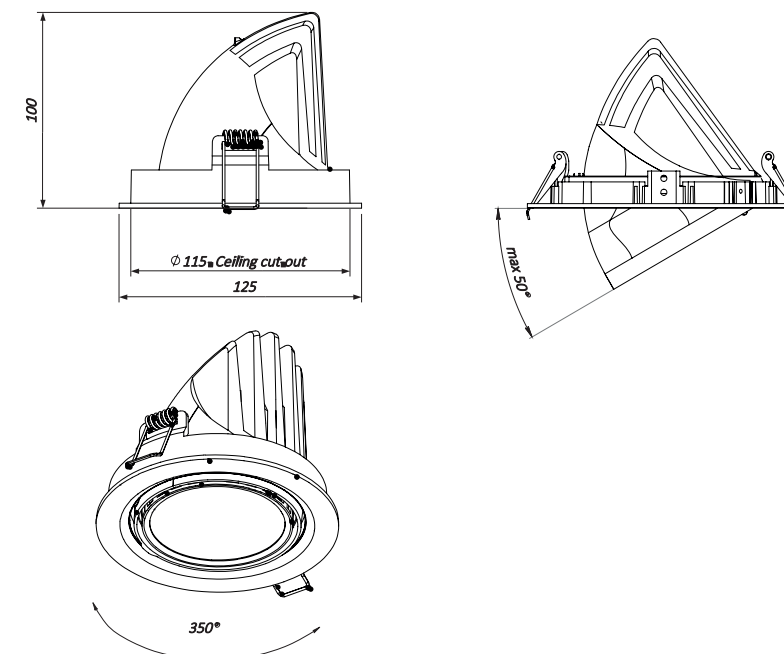


website

General specifications

Type of luminaire	spot (spot light module)
Application areas	accent lighting
Supply unit	LED Driver integrated
Nominal voltage	230V, 50Hz
Lighting technology	LED COB
Optic	aluminum reflector MIRO-Silver®
Power factor	0,95
Cooling	passive
Body	aluminum
Weight	0,52 kg
Package	single/group
Life time	50 000 hours
Warranty	5 years/50 000 hours
Certification	CE, UKCA, UA

Dimensions



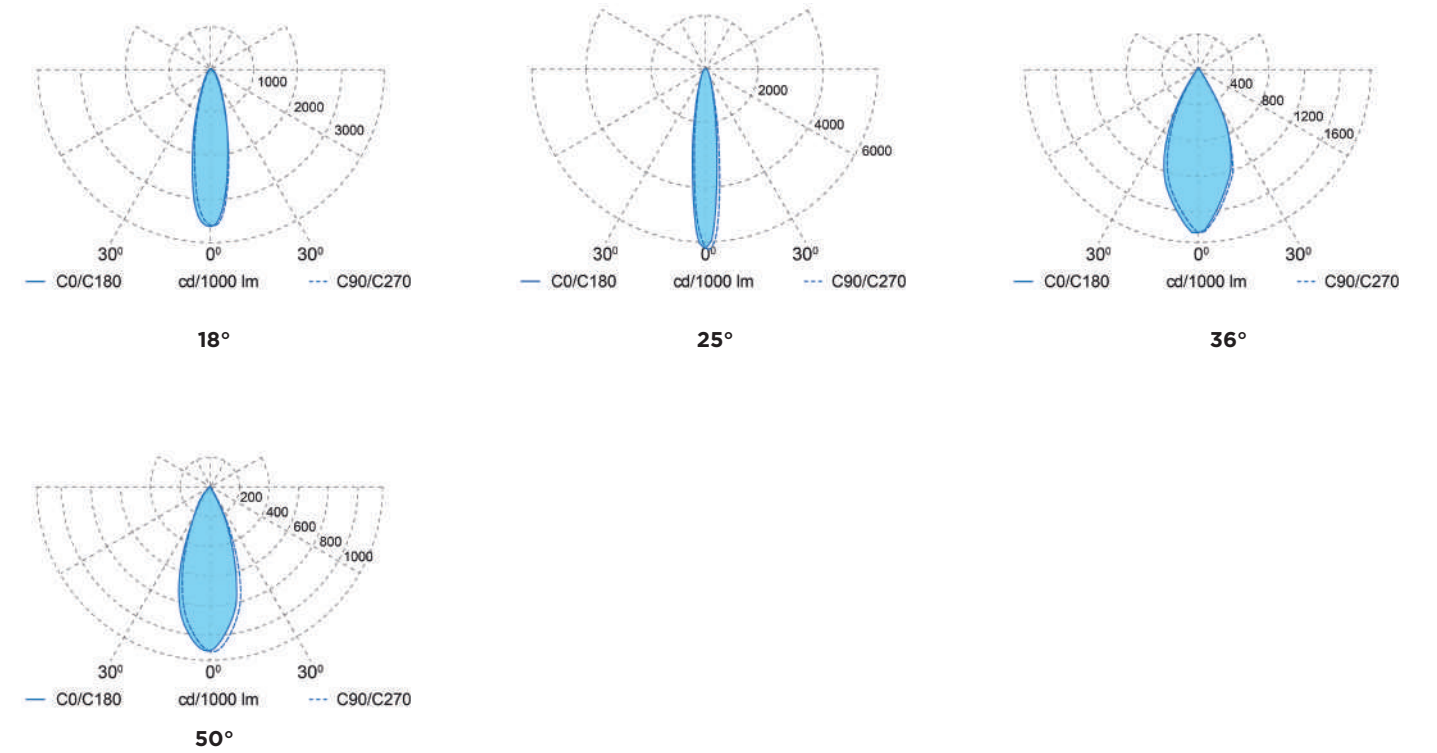
Scope of application



Nomenclature

Luminaire SPOT Iris									
Order Type	Luminaire Beam Angle	Luminaire Power, W	Luminaire Color Rendering Index (CRI)	Luminaire Color Temperature, K	Special Luminaire Light	Luminaire Mounting Type	Luminaire IP Rating	Luminaire Housing Color	
SO	18° 25° 36° 50°	13 19 22 24 27	8 9	3000 3500 4000 2700 3000 3500 4000	meat red meat white meat vivid elite bread bread vivid bakery cheese vegetables&fruits vegetables&fruits vivid fish white fish vivid fish premium color 3000 bright color 3000 bright color 3500	BI	IP21	BL	black RAL 9005 WH white RAL9016

Beam angle



The deviation of actual power consumption from the specified values does not exceed ±5%;
The luminous flux calculation is based on LEDs with a color temperature of 4000K, CRI80. The deviation of luminous flux from the specified values does not exceed ±10%

Technical details, as well as size and weight parameters were prepared as accurately as possible. All dimensions in mm. LED Lifetime Information - L90 / B10 at 25 °C ambient temperature. A tolerance of +/- 10% applies to luminous flux and performance characteristics. Minimum color rendering indices Ra > 80 / > 90. Product images are used as an example and may differ from the original. We reserve the right to make changes in order to improve the product.

Iris S



SPOT



DESCRIPTION

Iris S is a compact spot luminaire with a modern, minimal design, created for precise accent lighting in commercial interiors.

Its small form factor makes it ideal for discreet integration into ceilings and clean, uncluttered interiors.

Iris S features a rotatable spotlight head that enables precise accent lighting and flexible beam direction.



Creates focused light.



Modern, compact design:
A clean form that blends into contemporary interiors.



Easy installation:
Designed for fast, hassle-free mounting on site.

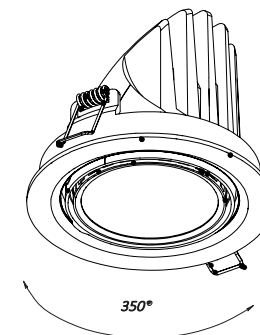
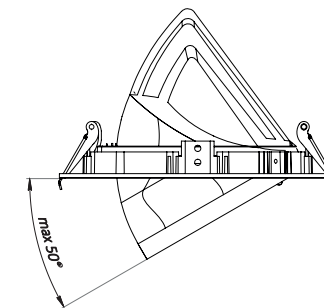
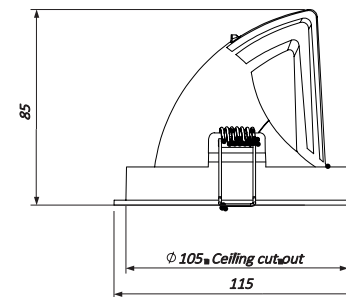


website

General specifications

Type of luminaire	spot (spot light module)
Application areas	accent lighting
Supply unit	LED Driver integrated
Nominal voltage	230V, 50Hz
Lighting technology	LED COB
Optic	aluminum reflector MIRO-Silver®
Power factor	0,95
Cooling	passive
Body	aluminum
Weight	0,45 kg
Package	single/group
Life time	50 000 hours
Warranty	5 years/50 000 hours
Certification	CE, UKCA, UA

Dimensions



Scope of application



Iris S

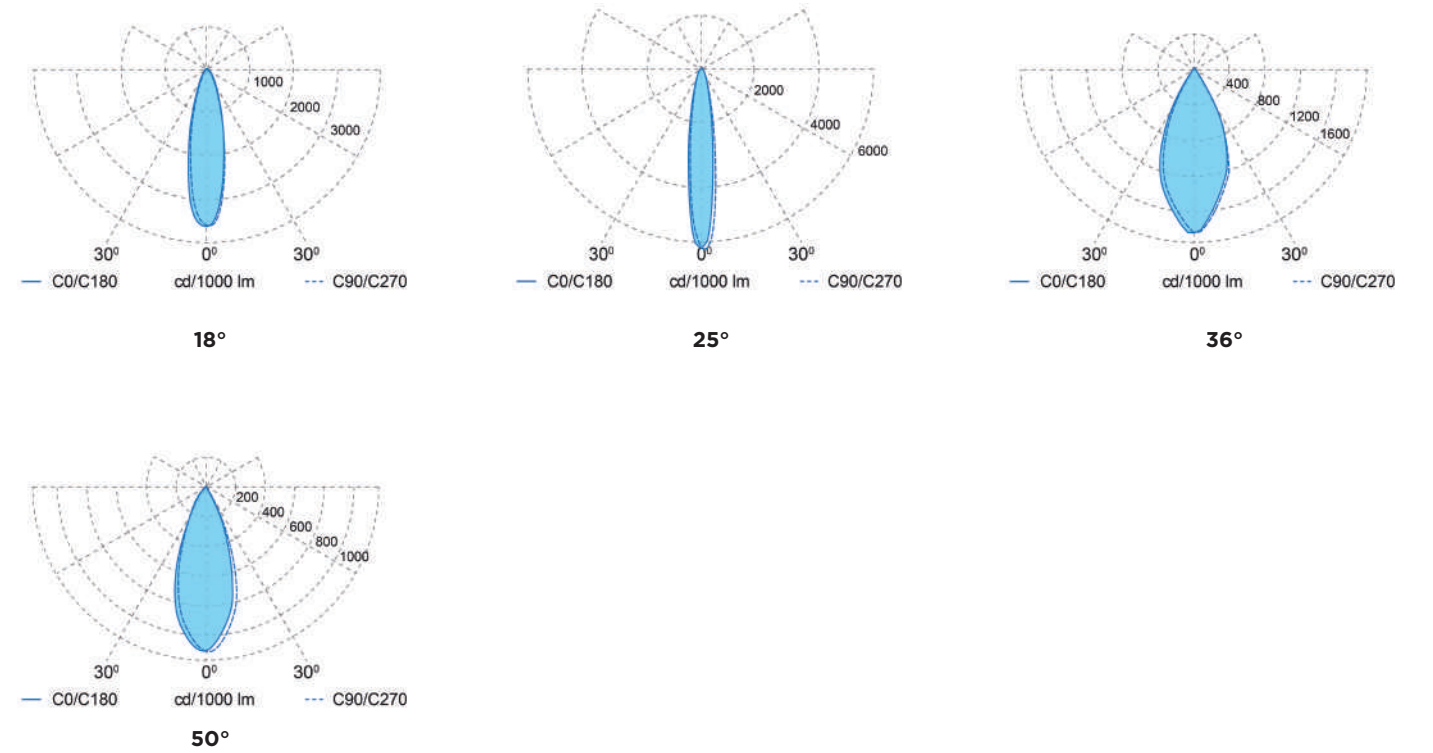


SPOT

Nomenclature

Luminaire SPOT Iris S							
Order Type	Luminaire Beam Angle	Luminaire Power, W	Luminaire Color Rendering Index (CRI)	Luminaire Color Temperature, K	Luminaire Mounting Type	Luminaire IP Rating	Luminaire Housing Color
SO	18° 25° 36° 50°	6 9 11 13 15	8 9	3000 3500 4000 2700 3000 3500 4000	BI	IP21	BL black RAL9005 WH white RAL9016

Beam angle



The deviation of actual power consumption from the specified values does not exceed $\pm 5\%$;
The luminous flux calculation is based on LEDs with a color temperature of 4000K, CRI80. The deviation of luminous flux from the specified values does not exceed $\pm 10\%$

Technical details, as well as size and weight parameters were prepared as accurately as possible. All dimensions in mm. LED Lifetime Information - L90 / B10 at 25 °C ambient temperature. A tolerance of +/- 10% applies to luminous flux and performance characteristics. Minimum color rendering indices Ra > 80 / > 90. Product images are used as an example and may differ from the original. We reserve the right to make changes in order to improve the product.



DESCRIPTION

For those looking for the perfect solution for general and accent lighting, we have created the versatile Gefest recessed luminaire.

The design of the luminaire allows you to change the direction of the light depending on the tasks, direct the light to the desired product or the area of the store.

A large selection of reflectors allows you to adjust lighting scenarios.



Versatility: no matter what you want to illuminate, Gefest easily adapts to any environment.



Anti-glare ring: for increased visual comfort provided by the honeycomb filter.



A wide range of beam angles: with different reflectors, the fixture can create either a narrow or wide beam of accent light.

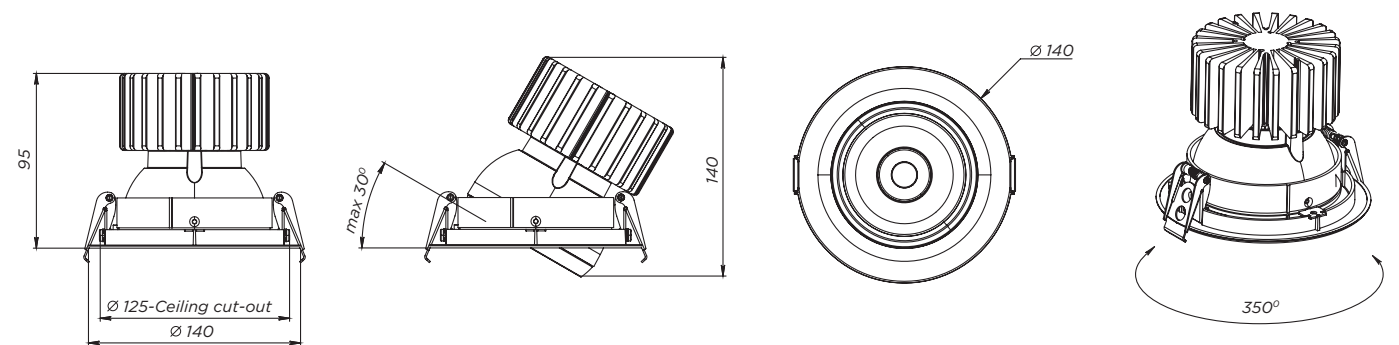


website

General specifications

Type of luminaire	built-in light (light module)
Application areas	general and accent lighting
Supply unit	LED driver
Nominal voltage	230V, 50Hz
Lighting technology	LED COB
Optic	aluminum reflector MIRO-Silver®
Power factor	0.95
Cooling	passive
Body	aluminum / steel
Weight	0,8 kg.
Package	single / group
Life time	50,000 hours.
Warranty	5 years/50,000 hours
Certification	CE, UKCA, UA

Dimensions



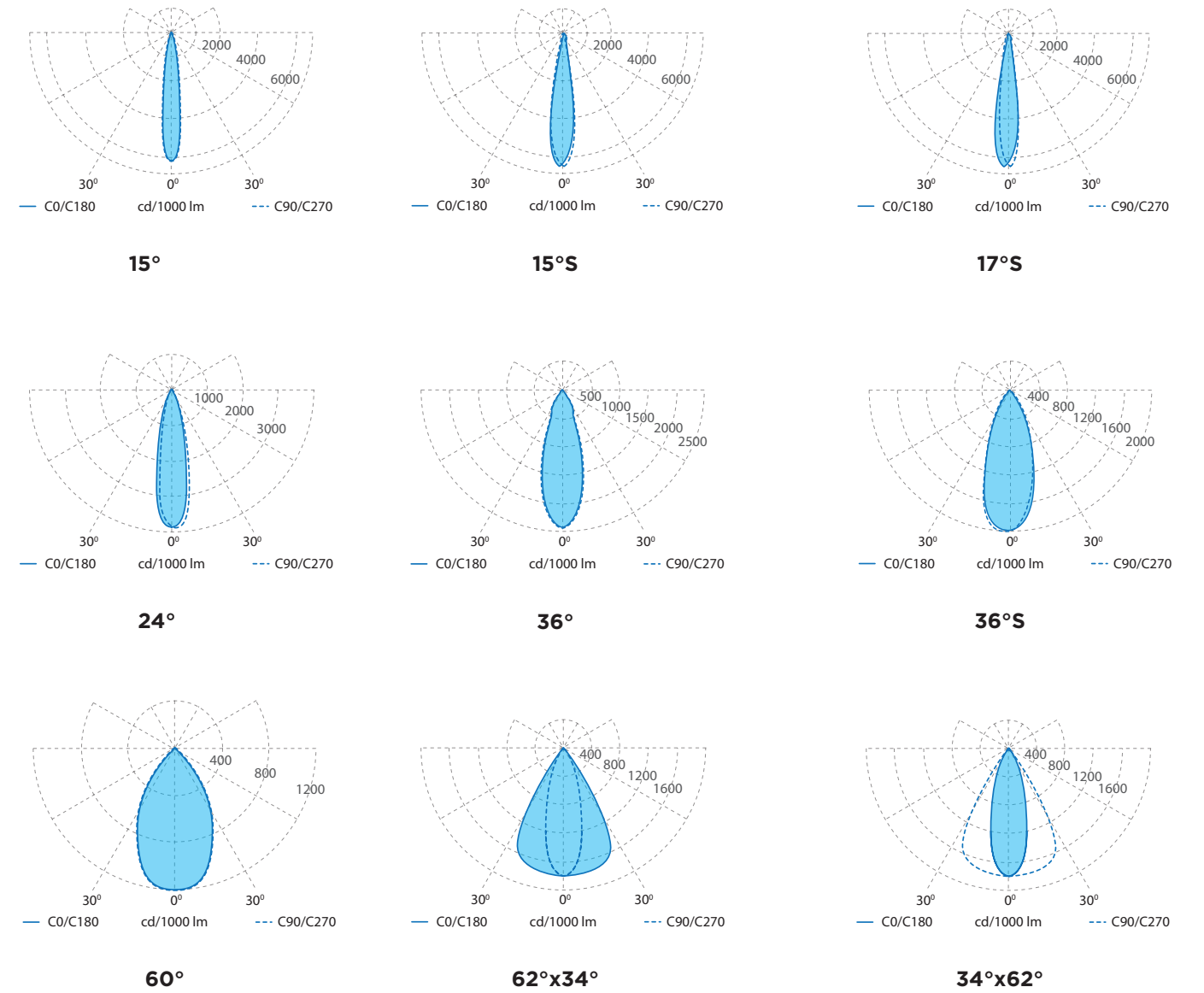
Scope of application



Nomenclature

Luminaire SPOT Gefest						SO	60°	24W	830	BI	IP21	BL / WH
Order Type	Luminaire Filter Type	Luminaire Beam Angle	Luminaire Power, W	Luminaire Color Rendering Index (CRI)	Luminaire Color Temperature, K	Special Luminaire Light	Luminaire Mounting Type	Luminaire IP Rating	Luminaire Housing Color			
SO	HF	15°	19	8	2700	meat red	BI	IP21	BL black RAL 9005			
		17°S	26									
		24°	28	9	3500	meat white		WH white RAL9016				
		24°S	28									
		36°	30	9	4000	meat vivid		WH white RAL9016				
		36°S	30									
		40°	32	9	5000	elite		WH white RAL9016				
		40°S	32									
		45°	34	9	5000	bread		WH white RAL9016				
		45°S	34									
		60°		9	5000	bread vivid		WH white RAL9016				
		60°S										
		62°x34°		9	5000	cheese		WH white RAL9016				
		62°Sx34°S										
		34°x62°		9	5000	vegetables&fruits		WH white RAL9016				
		34°Sx62°S										
				9	5000	vegetables&fruits vivid		WH white RAL9016				
				9	5000	fish		WH white RAL9016				
				9	5000	premium color		WH white RAL9016				
				9	5000	bright color 3000		WH white RAL9016				
				9	5000	bright color 3500		WH white RAL9016				
				9	5000	bright color 4000		WH white RAL9016				
				9	5000	true white		WH white RAL9016				
				9	5000	premium white 3000		WH white RAL9016				
				9	5000	premium white 3500		WH white RAL9016				

Beam angle



The deviation of actual power consumption from the specified values does not exceed ±5%;
 The luminous flux calculation is based on LEDs with a color temperature of 4000K, CRI80. The deviation of luminous flux from the specified values does not exceed ±10%

Technical details, as well as size and weight parameters were prepared as accurately as possible. All dimensions in mm. LED Lifetime Information - L90 / B10 at 25 °C ambient temperature. A tolerance of +/- 10% applies to luminous flux and performance characteristics. Minimum color rendering indices Ra > 80 / > 90. Product images are used as an example and may differ from the original. We reserve the right to make changes in order to improve the product.



DESCRIPTION

Molo is a recessed luminaire and an ideal solution for retail.

With its compact and unobtrusive design, it seamlessly integrates into any interior, providing comfortable and efficient lighting. Its versatility allows for both general and accent lighting.

The luminaire features enhanced moisture and dust resistance, making it perfect for use in high-humidity and dust-prone environments.



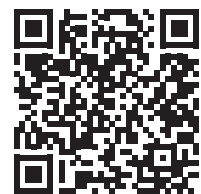
Ingress protection: The optical part has an IP65 protection rating, while the electrical part is rated IP44, making this luminaire ideal for restrooms and areas with increased humidity and dust exposure.



Compactness: The perfect choice for those looking to maximize space while achieving stylish and functional lighting.



Versatility: No matter what needs to be illuminated, Molo effortlessly adapts to any environment.

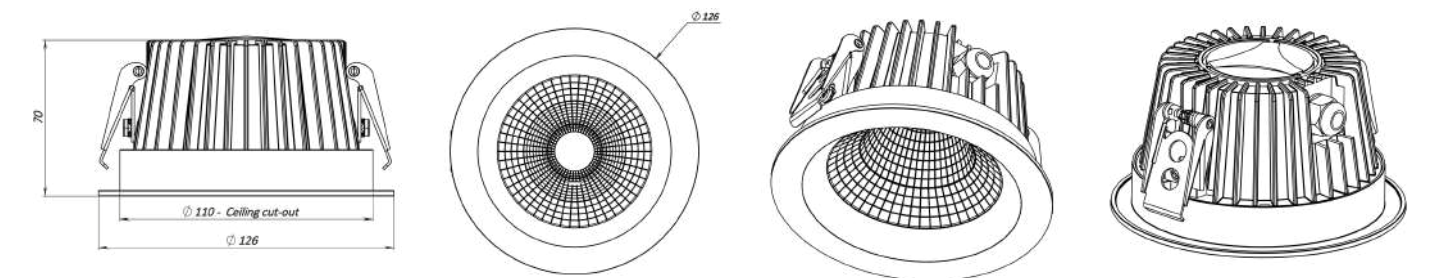


website

General specifications

Type of luminaire	built-in light (light module)
Application areas	general and accent lighting
Supply unit	LED driver
Nominal voltage	230V, 50Hz
Lighting technology	LED COB
Optic	aluminum reflector
Power factor	0,95
Cooling	passive
Body	aluminum
Weight	0,5 kg
Package	single / group
Life time	50 000 hours
Warranty	5 years/50 000 hours
Certification	CE, UKCA, UA

Dimensions



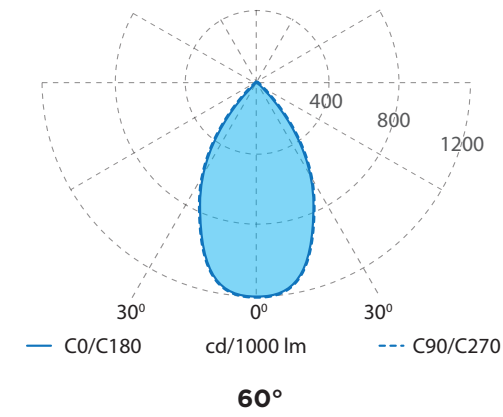
Scope of application



Nomenclature

Luminaire SPOT Molo								
Order Type	Luminaire Filter Type	Luminaire Beam Angle	Luminaire Power, W	Luminaire Color Rendering Index (CRI)	Luminaire Color Temperature, K	Luminaire Mounting Type	Luminaire IP Rating	Luminaire Housing Color
SO	CG	60°	9 13	8	3000 3500 4000 5000	BI	IP44	BL black RAL 9005 WH white RAL 9016

Beam angle



The deviation of actual power consumption from the specified values does not exceed $\pm 5\%$;
 The luminous flux calculation is based on LEDs with a color temperature of 4000K, CRI80. The deviation of luminous flux from the specified values does not exceed $\pm 10\%$

Technical details, as well as size and weight parameters were prepared as accurately as possible. All dimensions in mm. LED Lifetime Information - L90 / B10 at 25 °C ambient temperature. A tolerance of +/- 10% applies to luminous flux and performance characteristics. Minimum color rendering indices Ra > 80 / > 90. Product images are used as an example and may differ from the original. We reserve the right to make changes in order to improve the product.

Molo L

SPOT



DESCRIPTION

Molo L is a high-output recessed luminaire designed for demanding applications where performance and reliability are essential.

With quick, straightforward installation and a clean, minimal look, it integrates seamlessly into the ceiling while delivering powerful, uniform illumination.

It is ideal for high ceilings and large-scale areas such as warehouses and other spaces where robust, efficient lighting is required.



High-output performance: Designed for higher mounting heights and wide areas, providing reliable visibility in large spaces.



Easy installation: Fast, straightforward mounting helps reduce on-site installation time.



Built for demanding environments: A practical choice for facilities with intensive operation.

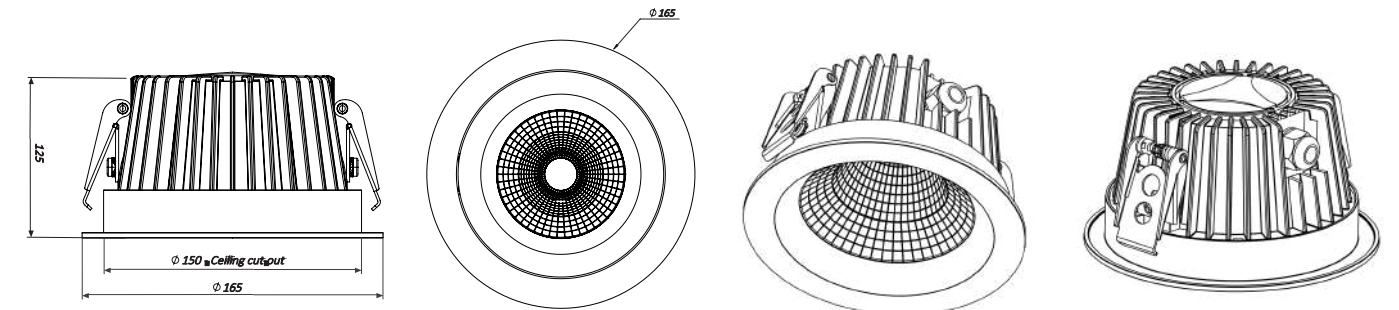


website

General specifications

Type of luminaire	built-in light (light module)
Application areas	general and accent lighting
Supply unit	LED driver
Nominal voltage	230V, 50Hz
Lighting technology	LED COB
Optic	Aluminum reflector MIRO-Silver®
Power factor	0,95
Cooling	passive
Body	aluminum
Weight	0,65 kg
Package	single / group
Life time	50 000 hours
Warranty	5 years/50 000 hours
Certification	CE, UKCA, UA

Dimensions



Scope of application



Molo L

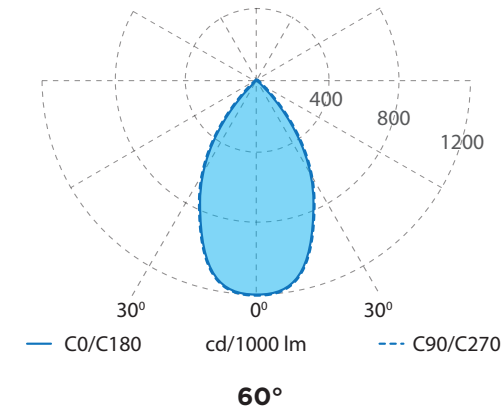


SPOT

Nomenclature

Order Type	Luminaire Filter Type	Luminaire Beam Angle	Luminaire Power, W	Luminaire Color Rendering Index (CRI)	Luminaire Color Temperature, K	Luminaire Mounting Type	Luminaire IP Rating	Luminaire Housing Color
SO	CG	60°	9 13 19 22	8	3000 3500 4000 5000	BI	IP21 IP44 IP67	BL black RAL 9005 WH white RAL 9016

Beam angle



The deviation of actual power consumption from the specified values does not exceed $\pm 5\%$;
The luminous flux calculation is based on LEDs with a color temperature of 4000K, CRI80. The deviation of luminous flux from the specified values does not exceed $\pm 10\%$

Technical details, as well as size and weight parameters were prepared as accurately as possible. All dimensions in mm. LED Lifetime Information - L90 / B10 at 25 °C ambient temperature. A tolerance of $\pm 10\%$ applies to luminous flux and performance characteristics. Minimum color rendering indices $R_a > 80 / > 90$. Product images are used as an example and may differ from the original. We reserve the right to make changes in order to improve the product.

Plano 2.0 3PH



LINE



DESCRIPTION

The Plano 2.0 luminaire is designed for 3-phase track systems and is equipped with a robust and durable adapter that allows the fixture to rotate 350°.

The Plano 2.0 also features two adjustable lamellae that can rotate in any direction relative to the horizontal plane, offering great flexibility in adjusting the light angle.

This design enables more precise lighting adjustments. The luminaire is perfect for projects that require a stable, powerful construction with fine-tuned lighting control.



Versatility. With this lamp, you can easily create a general diffused or accent light.



Power. Allows the use of fewer luminaires per project.



Possibility to combine optics. You can combine multiple optics in one luminaire for different lighting tasks on parallel shelves.



Flexibility in lighting settings. Allows you to direct the light of each lamella separately, by turning it within 18 degrees relative to the horizontal plane.

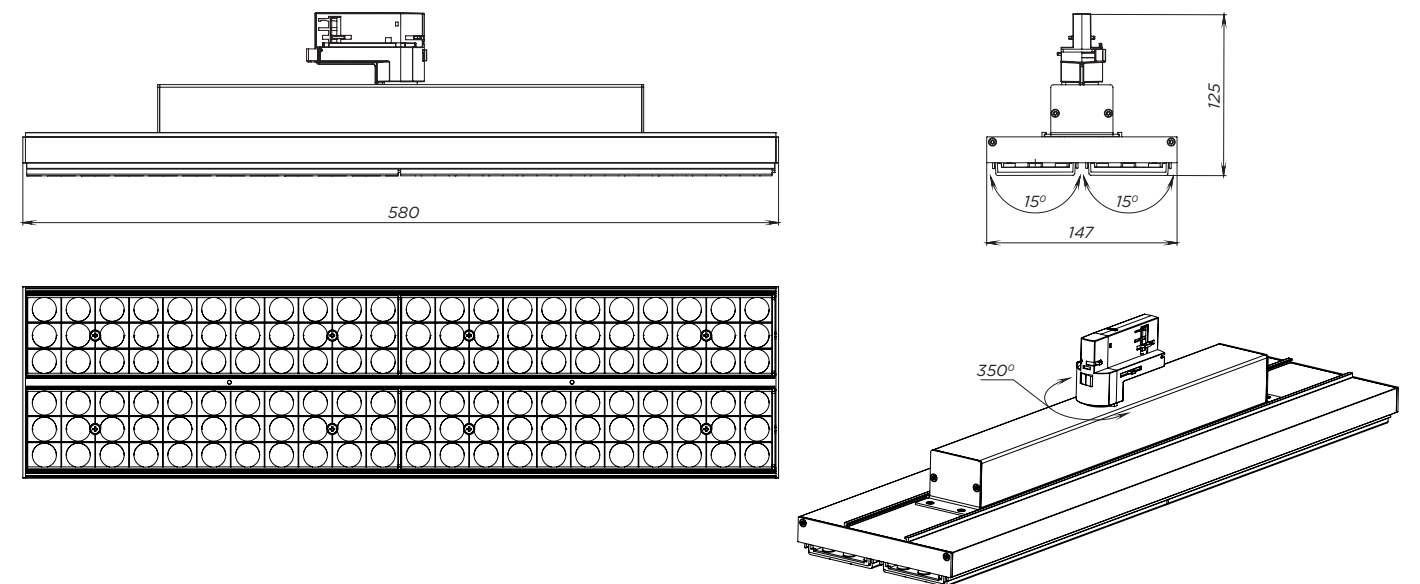


website

General specifications

Type of luminaire	Line (linear light)
Application areas	general and accent lighting
Supply unit	LED Driver integrated
Nominal voltage	230V, 50Hz
Lighting technology	LED SMD 2835
Optic	PC
Power factor	0,95
Body	Aluminum
Weight	2,6 kg
Package	Single
Life time	50,000 hours.
Warranty	5 years/50,000 hours
Certification	CE, UKCA, UA

Dimensions



Scope of application



Plano 2.0 3PH

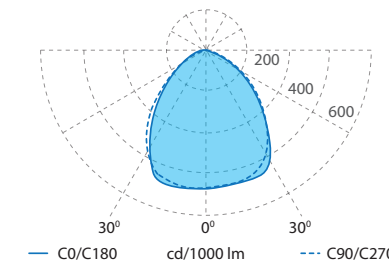


LINE

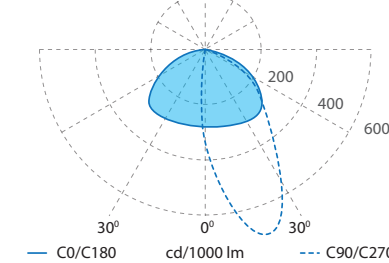
Nomenclature

Luminaire LINE Plano 2.0									
Order Type	Type of luminaire board	Luminaire Filter Type	Luminaire Beam Angle	Luminaire Power, W	Luminaire Color Rendering Index (CRI)	Luminaire Color Temperature, K	Luminaire Mounting Type	Luminaire IP Rating	Luminaire Housing Color
SO	3R	LF	90°	25 30 35 40 45 50 55 60 65 70 75 80	8	3000 3500 4000	3PH	IP21	BL black RAL 9005 WH white RAL9016

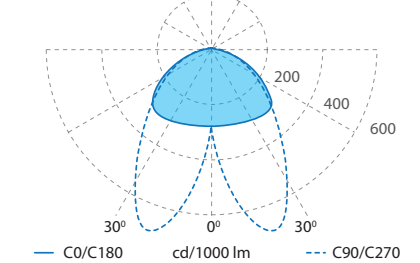
Beam angle



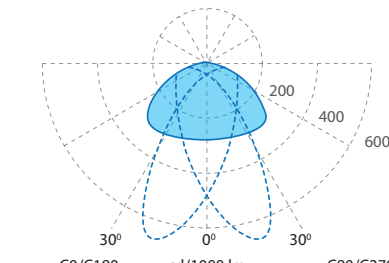
90°



AS25WX120



DS25WX120



DS24WX120

The deviation of actual power consumption from the specified values does not exceed ±5%;
The luminous flux calculation is based on LEDs with a color temperature of 4000K, CRI80. The deviation of luminous flux from the specified values does not exceed ±10%

Technical details, as well as size and weight parameters were prepared as accurately as possible. All dimensions in mm. LED Lifetime Information - L90 / B10 at 25 °C ambient temperature. A tolerance of +/- 10% applies to luminous flux and performance characteristics. Minimum color rendering indices Ra > 80 / > 90. Product images are used as an example and may differ from the original. We reserve the right to make changes in order to improve the product.

Plano 3.0 3PH



LINE



DESCRIPTION

The Plano 3.0 luminaire is designed for 3-phase busbar, with a more elegant design. Two miniature and lightweight adapters replace the large adapter, making setup easier and giving the luminaire a modern and sleek look.

The Plano 3.0 lamellae also rotate outward relative to the horizontal plane, making this luminaire a great choice for those who value flexibility in light control without sacrificing aesthetics.

Plano 3.0 will fit perfectly into interiors that demand sophistication and ease of customization.



Versatility. With this lamp, you can easily create a general diffused or accent light.



Power. Allows the use of fewer luminaires per project.



Possibility to combine optics. You can combine multiple optics in one luminaire for different lighting tasks on parallel shelves.



Flexibility in lighting settings. Allows you to direct the light of each lamella separately, by turning it within 15 degrees relative to the horizontal plane.

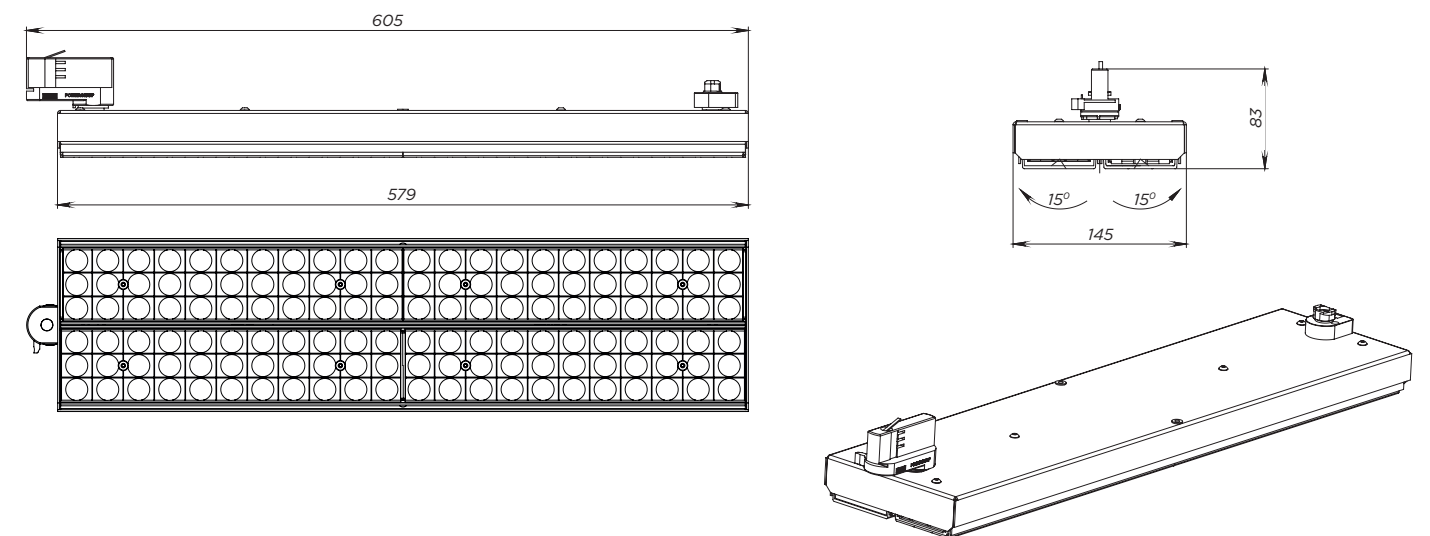


website

General specifications

Type of luminaire	Line (linear light)
Application areas	general and accent lighting
Supply unit	LED Driver integrated
Nominal voltage	230V, 50Hz
Lighting technology	LED SMD 2835
Optic	PC
Power factor	0,95
Cooling	passive
Body	Steel
Weight	2,5 kg
Package	Single
Life time	50,000 hours.
Warranty	5 years/50,000 hours
Certification	CE, UKCA, UA

Dimensions



Scope of application



Plano 3.0 3PH

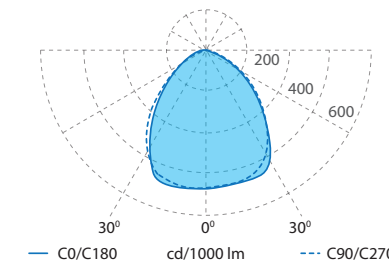


LINE

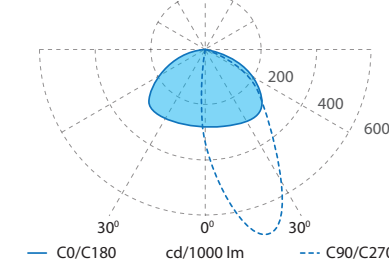
Nomenclature

Order Type	Type of luminaire board	Luminaire Filter Type	Luminaire Beam Angle	Luminaire Power, W	Luminaire Color Rendering Index (CRI)	Luminaire Color Temperature, K	Luminaire Mounting Type	Luminaire IP Rating	Luminaire Housing Color
SO	3R	LF	90° AS25Wx120 DS25Wx120 DS24Wx120	25 30 35 40 45 50 55 60 65 70 75 80	8	3000 3500 4000	3PH	IP21	BL black RAL 9005 WH white RAL9016

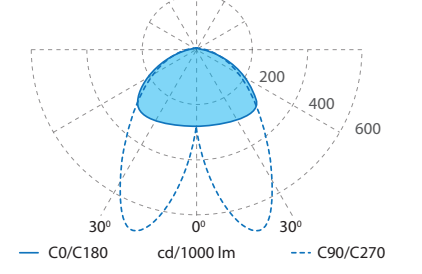
Beam angle



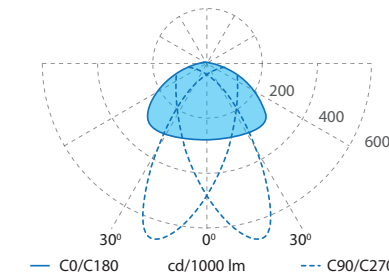
90°



AS25WX120



DS25WX120



DS24WX120

The deviation of actual power consumption from the specified values does not exceed ±5%;
The luminous flux calculation is based on LEDs with a color temperature of 4000K, CRI80. The deviation of luminous flux from the specified values does not exceed ±10%

Technical details, as well as size and weight parameters were prepared as accurately as possible. All dimensions in mm. LED Lifetime Information - L90 / B10 at 25 °C ambient temperature. A tolerance of +/- 10% applies to luminous flux and performance characteristics. Minimum color rendering indices Ra > 80 / > 90. Product images are used as an example and may differ from the original. We reserve the right to make changes in order to improve the product.

Plano 2.0 Space



LINE



DESCRIPTION

The Plano Space track light differs from the previous Plano 2.0 model by using reflector optics, which allows for focused light and enhanced comfort for customers.

Plano Space has the ability to combine several types of optics in one housing, offering solutions for various tasks.

Thanks to the lamp's power, we can reduce the number of fixtures in the project.



Increased customer comfort.

Thanks to the reflective optics, the UGR can reach 17, providing enhanced comfort for the customer.



Power. Allows for fewer fixtures to be used in the project.



Optics combination capability.

You can combine multiple optical elements in one fixture to address various lighting tasks on parallel shelves.

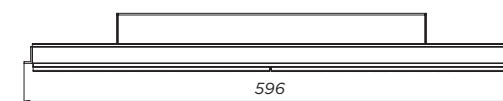


website

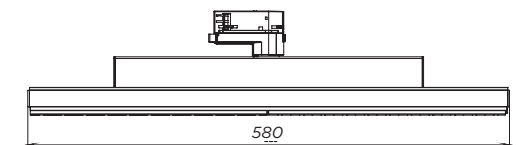
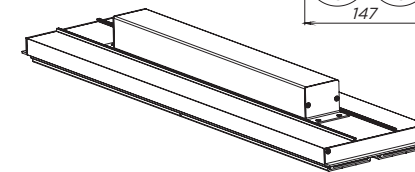
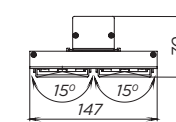
General specifications

Type of luminaire	Line (linear light)
Application areas	general and accent lighting
Блок живлення	LED Driver integrated
Nominal voltage	230V, 50Hz
Lighting technology	LED SMD 2835
Optic	PC
Power factor	0,95
Cooling	passive
Body	aluminum
Weight	2,6 kg
Package	Single
Life time	50,000 hours.
Warranty	5 years/50,000 hours
Certification	CE, UKCA, UA

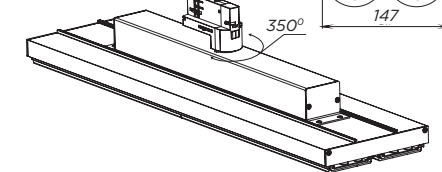
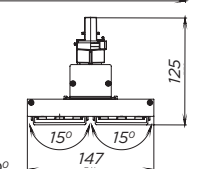
Dimensions



BI



3PH



Scope of application



Plano 2.0 Space

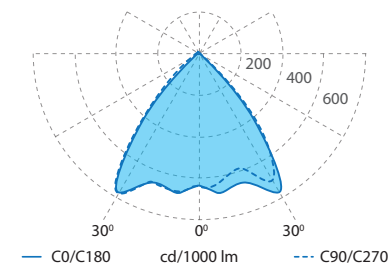


LINE

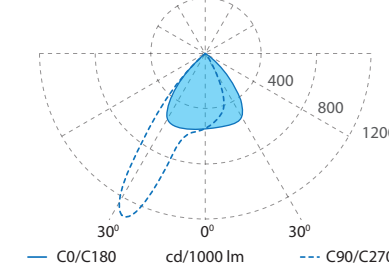
Nomenclature

Luminaire LINE Plano 2.0 Space									
SO	3R	LF	90°	80W	840	3PH	IP21	BL	
Order Type	Type of luminaire board	Luminaire Filter Type	Luminaire Beam Angle	Luminaire Power, W	Luminaire Color Rendering Index (CRI)	Luminaire Color Temperature, K	Luminaire Mounting Type	Luminaire IP Rating	Luminaire Housing Color
SO	3R	LF	90° AS30Nx90 DS30Nx90 DS29Nx90	25 30 35 40 45 50 55 60 65 70 75 80	8	3000 3500 4000	BI 3PH	IP21	BL black RAL 9005 WH white RAL9016

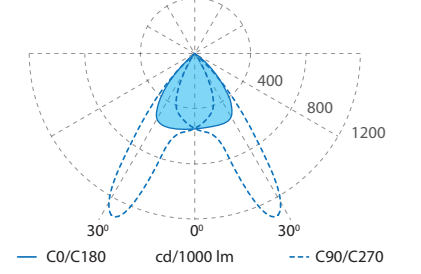
Beam angle



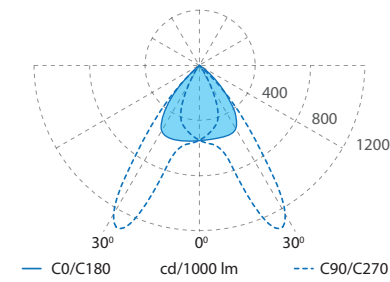
90°



AS30Nx90



DS30Nx90



DS29Nx90

The deviation of actual power consumption from the specified values does not exceed ±5%;
The luminous flux calculation is based on LEDs with a color temperature of 4000K, CRI80. The deviation of luminous flux from the specified values does not exceed ±10%

Technical details, as well as size and weight parameters were prepared as accurately as possible. All dimensions in mm. LED Lifetime Information - L90 / B10 at 25 °C ambient temperature. A tolerance of +/- 10% applies to luminous flux and performance characteristics. Minimum color rendering indices Ra > 80 / > 90. Product images are used as an example and may differ from the original. We reserve the right to make changes in order to improve the product.

Plano 3.0 Space



LINE



DESCRIPTION

The Plano Space track light differs from the previous Plano model by using reflector optics, which allows for focused light and enhanced comfort for customers.

Plano Space has the ability to combine several types of optics in one housing, offering solutions for various tasks.

Thanks to the lamp's power, we can reduce the number of fixtures in the project.



Increased customer comfort.
Thanks to the reflective optics, the UGR can reach 17, providing enhanced comfort for the customer.



Power. Allows for fewer fixtures to be used in the project.



Optics combination capability.
You can combine multiple optical elements in one fixture to address various lighting tasks on parallel shelves.

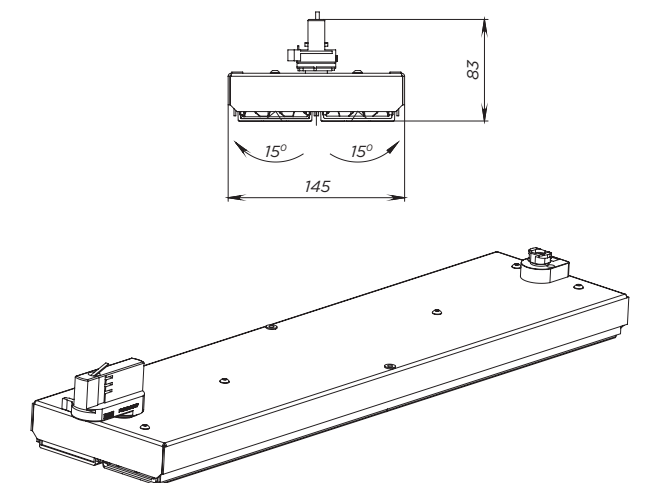
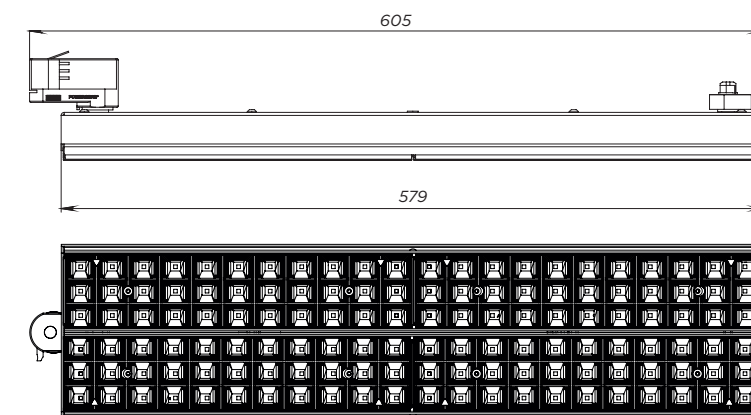


website

General specifications

Type of luminaire	Line (linear light)
Application areas	general and accent lighting
Блок живлення	LED Driver integrated
Nominal voltage	230V, 50Hz
Lighting technology	LED SMD 2835
Optic	PC
Power factor	0,95
Cooling	passive
Body	steel
Weight	2,5 kg
Package	Single
Life time	50,000 hours.
Warranty	5 years/50,000 hours
Certification	CE, UKCA, UA

Dimensions



Scope of application



Plano 3.0 Space

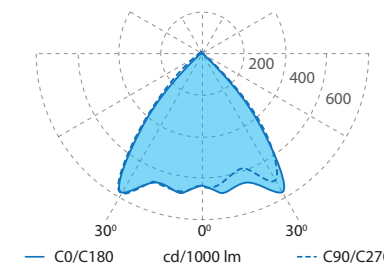


LINE

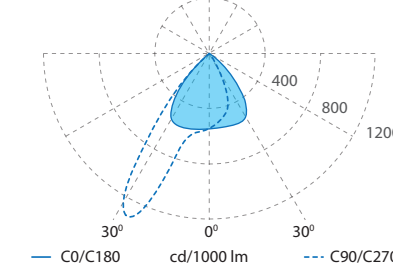
Nomenclature

Luminaire LINE Plano 3.0 Space									
Order Type	Type of luminaire board	Luminaire Filter Type	Luminaire Beam Angle	Luminaire Power, W	Luminaire Color Rendering Index (CRI)	Luminaire Color Temperature, K	Luminaire Mounting Type	Luminaire IP Rating	Luminaire Housing Color
SO	3R	LF	90°	25 30 35 40 45 50 55 60 65 70 75 80	8	3000 3500 4000	3PH	IP21	BL black RAL 9005 WH white RAL9016

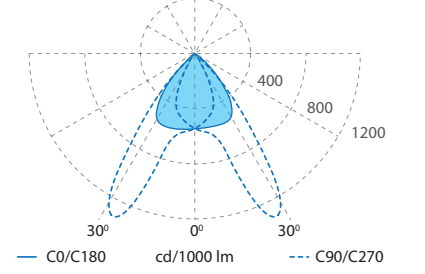
Beam angle



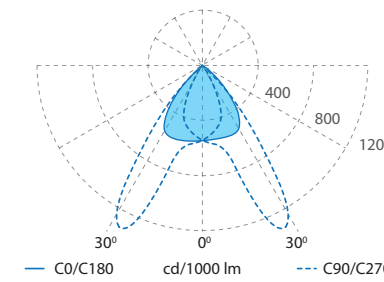
90°



AS30NX90



DS30NX90



DS29NX90

The deviation of actual power consumption from the specified values does not exceed $\pm 5\%$;
The luminous flux calculation is based on LEDs with a color temperature of 4000K, CRI80. The deviation of luminous flux from the specified values does not exceed $\pm 10\%$

Technical details, as well as size and weight parameters were prepared as accurately as possible. All dimensions in mm. LED Lifetime Information - L90 / B10 at 25 °C ambient temperature. A tolerance of $\pm 10\%$ applies to luminous flux and performance characteristics. Minimum color rendering indices $Ra > 80 / > 90$. Product images are used as an example and may differ from the original. We reserve the right to make changes in order to improve the product.

Plano 2.0 BI



LINE



DESCRIPTION

The Plano 2.0 recessed ceiling light is an ideal solution for accent and general lighting, effectively and evenly illuminating rooms with high ceilings.

The Plano 2.0 features a sleek, modern design and offers uniform light distribution, complemented by a diverse selection of optics for various applications.



Versatility. With this lamp, you can easily create a general diffused or accent light.



Power. Allows the use of fewer luminaires per project.



Possibility to combine optics. You can combine multiple optics in one luminaire for different lighting tasks on parallel shelves.



Flexibility in lighting settings. Allows you to direct the light of each lamella separately, by turning it within 15 degrees relative to the horizontal plane.

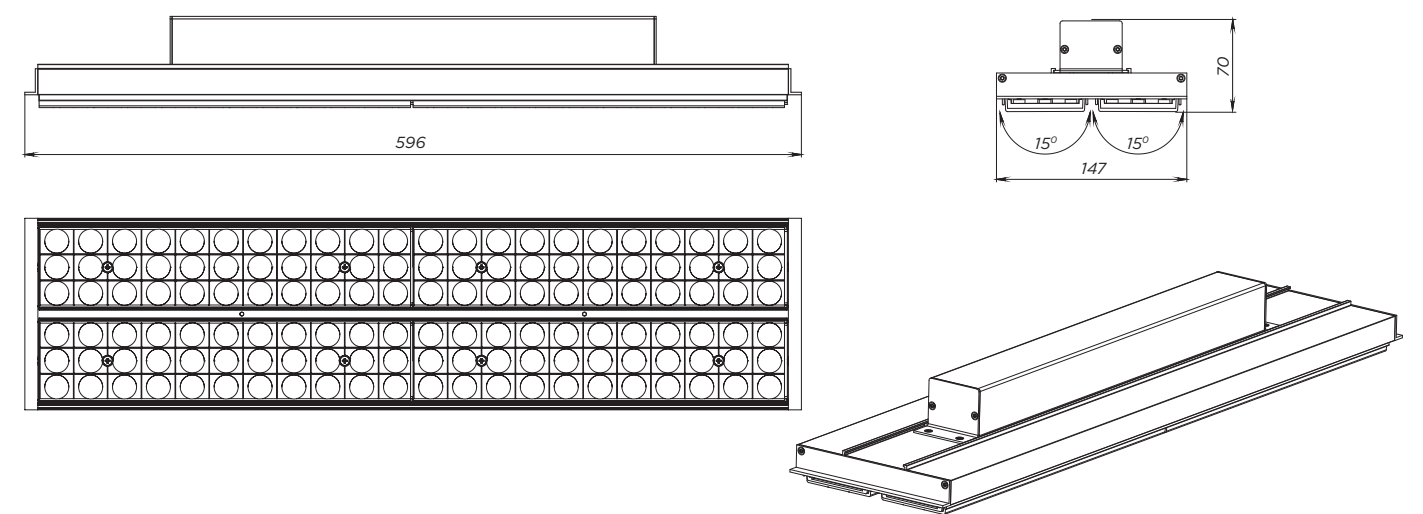


website

General specifications

Type of luminaire	Line (linear light)
Application areas	general and accent lighting
Supply unit	LED Driver integrated
Nominal voltage	230V, 50Hz
Lighting technology	LED SMD 2835
Optic	PC
Power factor	0,95
Cooling	passive
Body	Aluminum
Weight	2,6 kg
Package	Single
Life time	50,000 hours.
Warranty	5 years/50,000 hours
Certification	CE, UKCA, UA

Dimensions



Scope of application



Plano 2.0 BI

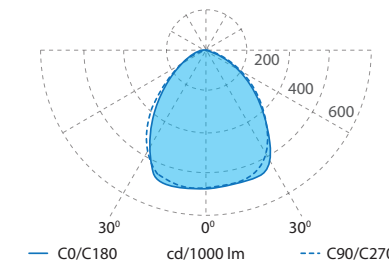


LINE

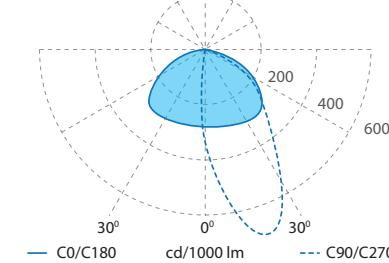
Nomenclature

Luminaire LINE Plano 2.0									
Order Type	Type of luminaire board	Luminaire Filter Type	Luminaire Beam Angle	Luminaire Power, W	Luminaire Color Rendering Index (CRI)	Luminaire Color Temperature, K	Luminaire Mounting Type	Luminaire IP Rating	Luminaire Housing Color
SO	3R	LF	90° AS25Wx120 DS25Wx120 DS24Wx120	25 30 35 40 45 50 55 60 65 70 75 80	8	3000 3500 4000	BI	IP21	BL black RAL 9005 WH white RAL9016

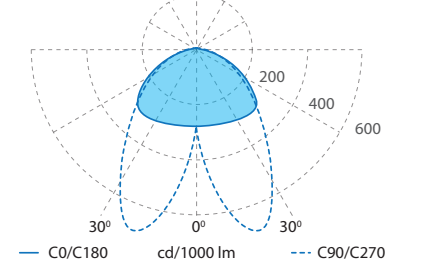
Beam angle



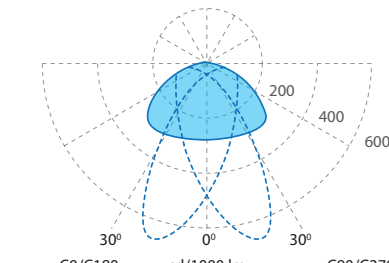
90°



AS25WX120



DS25WX120



DS24WX120

The deviation of actual power consumption from the specified values does not exceed ±5%;
The luminous flux calculation is based on LEDs with a color temperature of 4000K, CRI80. The deviation of luminous flux from the specified values does not exceed ±10%

Technical details, as well as size and weight parameters were prepared as accurately as possible. All dimensions in mm. LED Lifetime Information - L90 / B10 at 25 °C ambient temperature. A tolerance of +/- 10% applies to luminous flux and performance characteristics. Minimum color rendering indices Ra > 80 / > 90. Product images are used as an example and may differ from the original. We reserve the right to make changes in order to improve the product.

FastLine 3PH-D



LINE



DESCRIPTION

The Fastline 3PH-D luminaire is designed with aesthetics in mind, while maintaining flexibility and efficiency. Its slim and compact body makes it ideal for perimeter lighting and specific graphic zones.

The flexibility and innovation of this luminaire take LED lighting to a new level.



Speed of installation and replacement. Installation and dismantling do not require special tools and takes a few minutes.



Versatility. With this luminaire you can easily create a general or accent light.

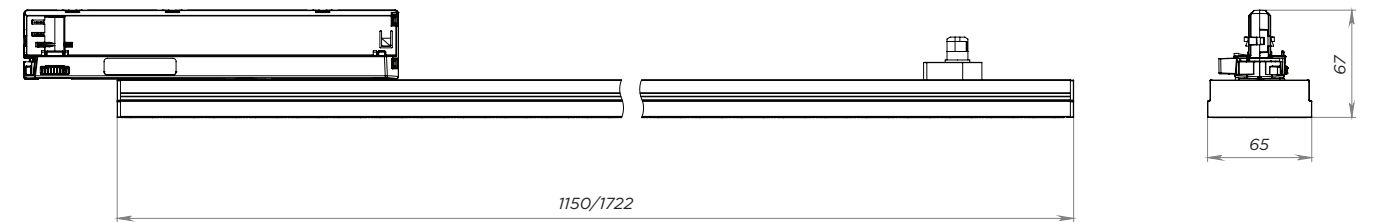


website

General specifications

Type of luminaire	Line (linear light)
Application areas	general lighting
Supply unit	LED Driver integrated
Nominal voltage	230V, 50Hz
Lighting technology	LED SMD 2835
Optic	PMMA
Power factor	0.95
Cooling	passive
Body	aluminum
Weight	1/1.3 kg
Package	Single / group
Life time	50,000 hours.
Warranty	5 years/50,000 hours
Certification	CE, UKCA, UA

Dimensions



Scope of application



FastLine 3PH-D



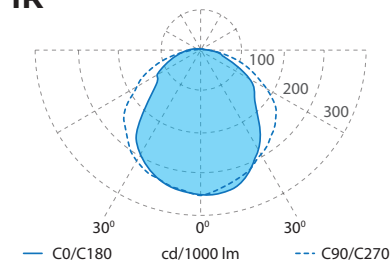
LINE

Nomenclature

Order type	Conditional length	Linear luminaire configuration	Type of luminaire board	Luminaire Filter Type	Luminaire Beam Angle	Luminaire Power, W	Luminaire Color Rendering Index (CRI)	Luminaire Color Temperature, K	Luminaire Mounting Type	Luminaire IP Rating	Luminaire Housing Color
SO	1200	SN	1R	LF	120° AS18Nx90 DS40Wx90 DS25Wx120K	20 25 30 35 40	8 9	3000 3500 4000 3000 3500 4000	3PH-D	IP21	BL black RAL 9005 WH white RAL9016
	1700										
	1200		3R		90° 110° AS25Wx120 DS30Wx80 DS35Wx110	20 25 30 38					
	1700					20 25 30 38					

Beam angle

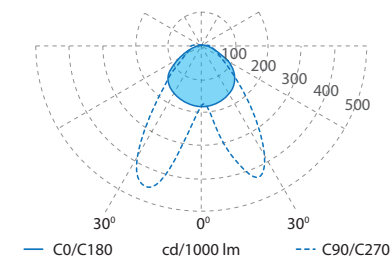
1R



120°

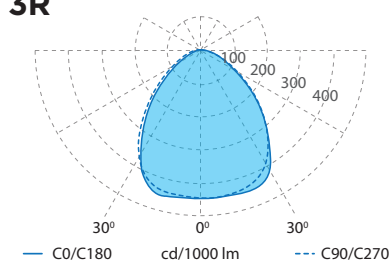
AS18Nx90

DS40Wx90



DS25Wx120

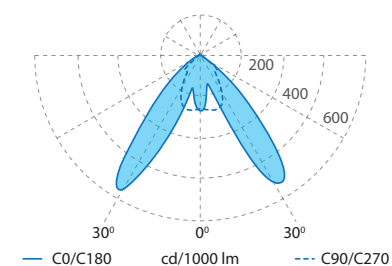
3R



90°

110°

AS25x120



DS30Wx80

DS35Wx110

The deviation of actual power consumption from the specified values does not exceed ±5%.
The luminous flux calculation is based on LEDs with a color temperature of 4000K, CRI80. The deviation of luminous flux from the specified values does not exceed ±10%

Technical details, as well as size and weight parameters were prepared as accurately as possible. All dimensions in mm. LED Lifetime Information - L90 / B10 at 25 °C ambient temperature. A tolerance of +/- 10% applies to luminous flux and performance characteristics. Minimum color rendering indices Ra > 80 / > 90. Product images are used as an example and may differ from the original. We reserve the right to make changes in order to improve the product.

FastLine Space 3PH-D



LINE



DESCRIPTION

The FastLine Space 3PH luminaire is thoughtfully designed to combine style, comfort, and ease of installation. Its slim, compact form allows for seamless integration into retail and office spaces, providing ideal general lighting or targeted illumination for specific areas.

With its advanced flexibility and innovative design, it enhances comfort by delivering uniform, glare-free light, creating a pleasant atmosphere for both employees and customers. This luminaire not only elevates LED lighting but also ensures a quick and simple installation, making it a perfect choice for retail and office environments.



Slim Design: Perfect for perimeter and accent lighting in retail and office spaces.



Comfortable Lighting: Offers uniform, glare-free illumination for enhanced comfort.



Easy Installation: Quick and efficient setup.



Flexible & Innovative: Advanced LED technology for versatile, energy-efficient lighting.

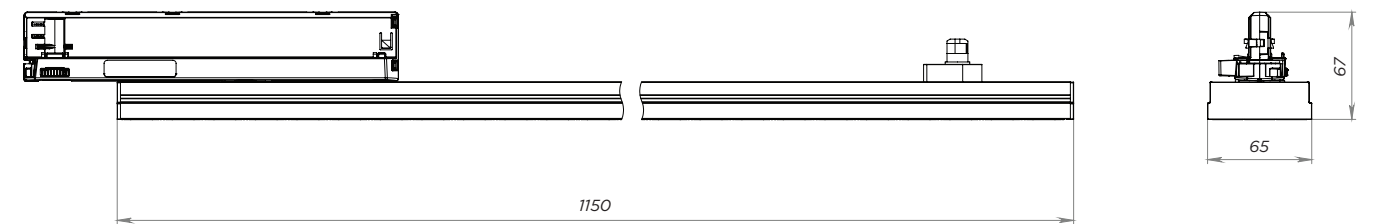


website

General specifications

Type of luminaire	Line (linear light)
Application areas	general lighting
Supply unit	LED Driver integrated
Nominal voltage	230V, 50Hz
Lighting technology	LED SMD 2835
Optic	PMMA
Power factor	0.95
Cooling	passive
Body	aluminum
Weight	1.2 kg
Package	Single / group
Life time	50,000 hours.
Warranty	5 years/50,000 hours
Certification	CE, UKCA, UA

Dimensions



Scope of application



FastLine Space 3PH-D

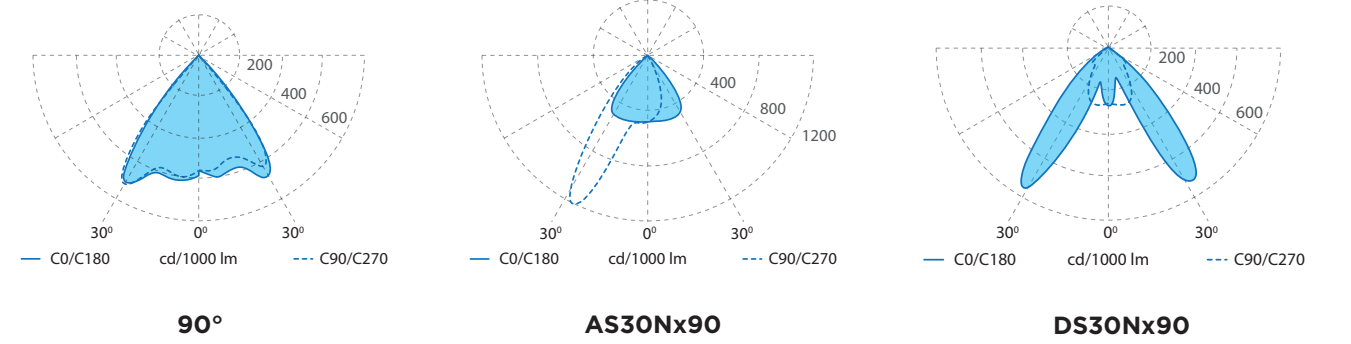


LINE

Nomenclature

Luminaire FastLine Space					SO	1700	SN	3R	LF	90°	38W	840	3PH-D	IP21	BL
Order type	Conditional length	Linear luminaire configuration	Type of luminaire board	Luminaire Filter Type	Luminaire Beam Angle	Luminaire Power, W	Luminaire Color Rendering Index (CRI)	Luminaire Color Temperature, K	Luminaire Mounting Type	Luminaire IP Rating	Luminaire Housing Color				
SO	1200	SN	3R	LF	90° AS30Nx90 DS30Nx90	20	8	3000	3PH-D	IP21	BL black RAL 9005 WH white RAL9016				
	25					3500									
	1700					30		4000							
						20	9	3000							
						25		3500							
						30		4000							
						38									

Beam angle



The deviation of actual power consumption from the specified values does not exceed ±5%;
The luminous flux calculation is based on LEDs with a color temperature of 4000K, CRI80. The deviation of luminous flux from the specified values does not exceed ±10%

Technical details, as well as size and weight parameters were prepared as accurately as possible. All dimensions in mm. LED Lifetime Information - L90 / B10 at 25 °C ambient temperature. A tolerance of +/- 10% applies to luminous flux and performance characteristics. Minimum color rendering indices Ra > 80 / > 90. Product images are used as an example and may differ from the original. We reserve the right to make changes in order to improve the product.

Komo 3PH



LINE



DESCRIPTION

Like any linear luminaire, the Komo linear luminaire is part of the design of the room, the soft diffused light from the opal or microprismatic diffuser does not irritate the eye. You can see this lamp in a school or sports club, office or store.



Comfortable for customers and employees.

The opal or microprismatic diffuser creates a comfortable illumination and does not blind the eye.



High power of the luminaire.

Power up to 70W - allows you to use fewer luminaires on a project to achieve the same level of illumination.

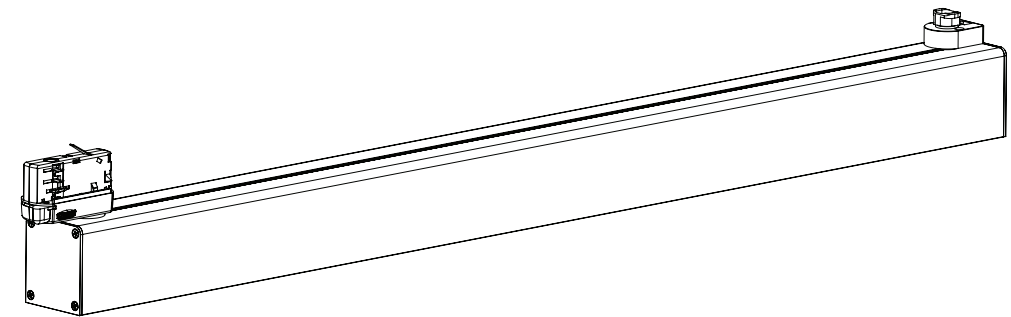
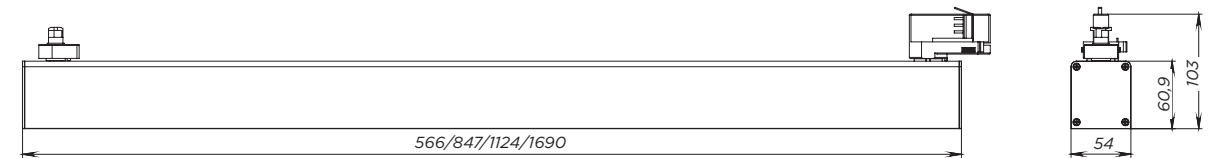


website

General specifications

Type of luminaire	Line (linear light)
Application areas	general lighting
Supply unit	LED Driver integrated
Nominal voltage	230V, 50Hz
Lighting technology	LED SMD 2835
Optic	PC
Power factor	0.95
Cooling	passive
Body	aluminum
Weight	0,9/1,1/1,6/2,4 kg
Package	Single / group
Life time	50,000 hours.
Warranty	5 years/50,000 hours
Certification	CE, UKCA, UA

Dimensions



Application area



Komo 3PH

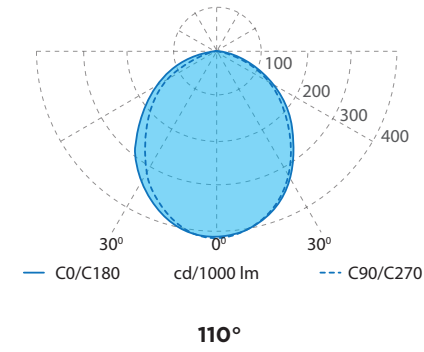


LINE

Nomenclature

Luminaire LINE Komo											
Order type	Conditional length	Linear luminaire configuration	Type of luminaire board	Luminaire Filter Type	Luminaire Beam Angle	Luminaire Power, W	CRI/ Color temperature, K	Luminaire Color Temperature, K	Luminaire Mounting Type	Luminaire IP Rating	Luminaire Housing Color
SO	600	SN	1R	OF MF	110°	20 25	8	3000 3500 4000	3PH	IP21	BL black RAL 9005 WH white RAL9016
	900					20 25 30 35 40					
	1200					25 30 35 40 45 50					
	1700					35 40 45 50 55 60 65 70					

Beam angle option



The deviation of actual power consumption from the specified values does not exceed ±5%;
The luminous flux calculation is based on LEDs with a color temperature of 4000K, CRI80. The deviation of luminous flux from the specified values does not exceed ±10%

Technical details, as well as size and weight parameters were prepared as accurately as possible. All dimensions in mm. LED Lifetime Information - L90 / B10 at 25 °C ambient temperature. A tolerance of +/- 10% applies to luminous flux and performance characteristics. Minimum color rendering indices Ra > 80 / > 90. Product images are used as an example and may differ from the original. We reserve the right to make changes in order to improve the product.



DESCRIPTION

Like any linear luminaire, the Komo linear luminaire is part of the design of the room, the soft diffused light from the opal or microprismatic diffuser does not irritate the eye. You can see this lamp in a school or sports club, office or store.

This model can be assembled into a line up to 50 meters long.



Comfortable for customers and employees.

The opal or microprismatic diffuser creates a comfortable illumination and does not blind the eye.



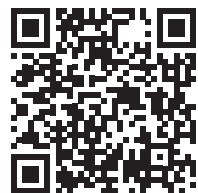
High power of the luminaire.

Power up to 150 W - allows you to use fewer luminaires on a project to achieve the same level of illumination.



Possibility to select a microprismatic diffuser (MF)

to enhance the luminaire's luminous efficiency.

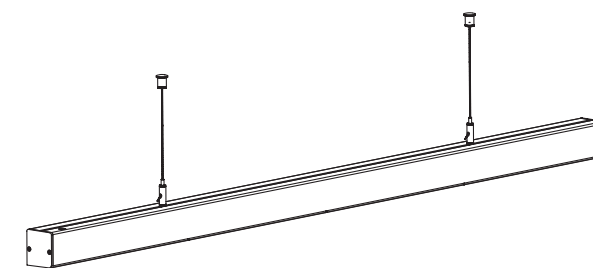
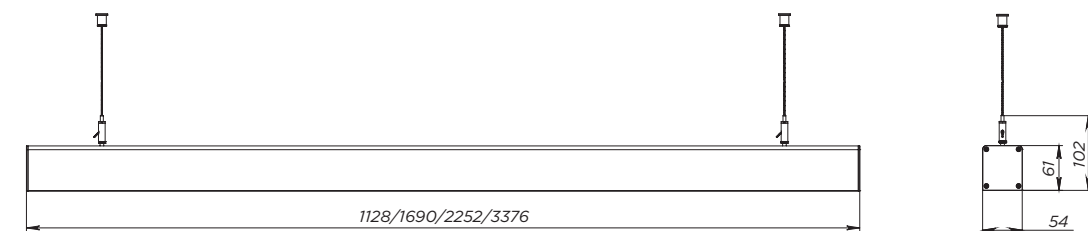


website

General specifications

Type of luminaire	Line (linear light)
Application areas	general lighting
Supply unit	LED Driver integrated
Nominal voltage	230V, 50Hz
Lighting technology	LED SMD 2835
Optic	PC
Power factor	0.95
Cooling	passive
Body	aluminum
Weight	1,6/2,6/3,3/4,6 kg
Package	Single / group
Life time	50,000 hours.
Warranty	5 years/50,000 hours
Certification	CE, UKCA, UA

Dimensions



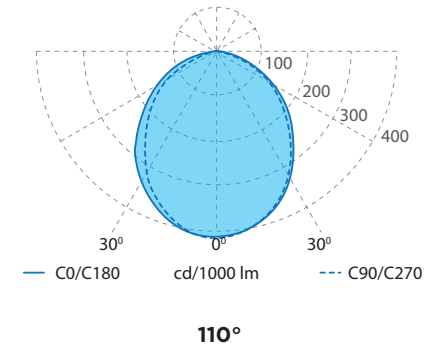
Application area



Nomenclature

Luminaire LINE Komo												SO	3400	CM	3x1.5	1R	OF	110°	150W	840	SP	IP21	BL
Order type	Conditional length	Linear luminaire configuration	Type of main cable for a linear luminaire	Type of luminaire board	Luminaire Filter Type	Luminaire Beam Angle	Luminaire Power, W	CR/ Color temperature, K	Luminaire Color Temperature, K	Luminaire Mounting Type	Luminaire IP Rating	Luminaire Housing Color											
SO	600	SN CM CS CF	3x1.5	1R	OF MF	110°	20	8	3000 3500 4000	SP	IP21	BL black RAL 9005											
							25																
							30																
							35																
							40																
	45																						
	50																						
	1200						1700						2200	3400	35								
															40								
															45								
		50																					
		55																					
	1700	2200	3400	60																			
				65																			
				70																			
				75																			
				80																			
	2200	3400	3400	90																			
				100																			
				110																			
120																							
130																							
3400	3400	3400	140																				
			150																				

Beam angle option



The deviation of actual power consumption from the specified values does not exceed ±5%;
 The luminous flux calculation is based on LEDs with a color temperature of 4000K, CRI80. The deviation of luminous flux from the specified values does not exceed ±10%

Technical details, as well as size and weight parameters were prepared as accurately as possible. All dimensions in mm. LED Lifetime Information - L90 / B10 at 25 °C ambient temperature. A tolerance of +/- 10% applies to luminous flux and performance characteristics. Minimum color rendering indices Ra > 80 / > 90. Product images are used as an example and may differ from the original. We reserve the right to make changes in order to improve the product.

Komo 2.0



LINE



DESCRIPTION

The Komo 2.0 linear luminaire meets the highest standards of functional and energy-efficient lighting in commercial interiors. It delivers soft, balanced illumination that prevents glare and reduces visual strain.



Comfortable for customers and employees.

The opal or microprismatic diffuser creates a comfortable illumination and does not blind the eye.



High power of the luminaire.

Power up to 150 W - allows you to use fewer luminaires on a project to achieve the same level of illumination.



Possibility to select a microprismatic diffuser (MF) to enhance the luminaire's luminous efficiency.

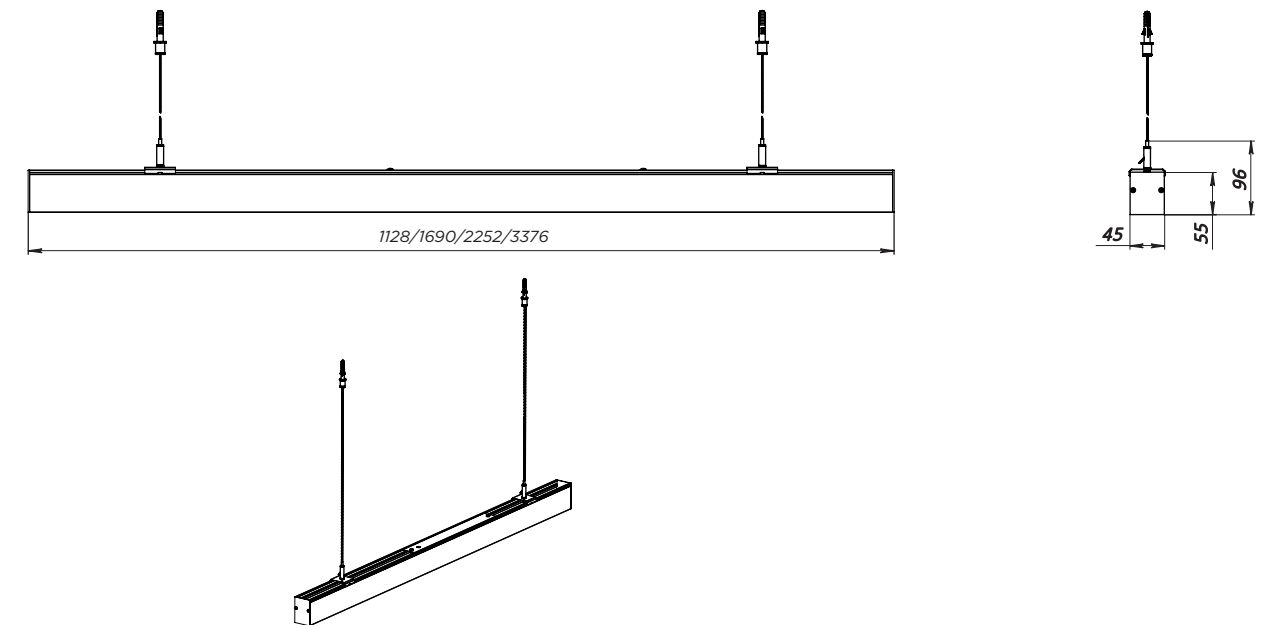


website

General specifications

Type of luminaire	Line (linear light)
Application areas	general lighting
Supply unit	LED Driver integrated
Nominal voltage	230V, 50Hz
Lighting technology	LED SMD 2835
Optic	PC
Power factor	0.95
Cooling	passive
Body	aluminum
Weight	1.6/2.5/3.2/4.5 kg
Package	Single / group
Life time	50,000 hours.
Warranty	5 years/50,000 hours
Certification	CE, UKCA, UA

Dimensions



Application area



Komo 2.0

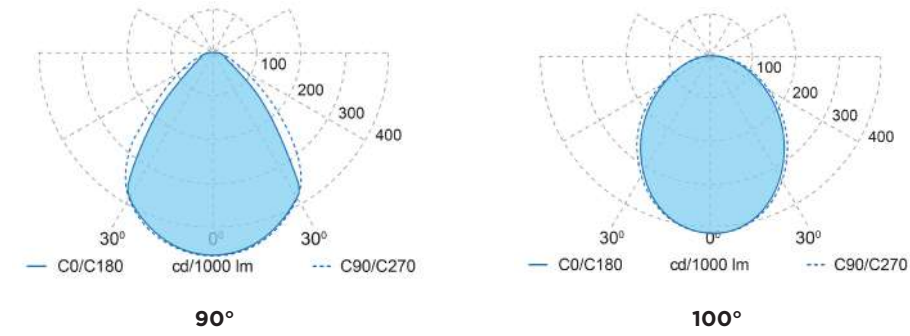


LINE

Nomenclature

Luminaire LINE Komo 2.0												
Order type	Conditional length	Linear luminaire configuration	Type of main cable for a linear luminaire	Type of luminaire board	Luminaire Filter Type	Luminaire Beam Angle	Luminaire Power, W	CRI/ Color temperature, K	Luminaire Color Temperature, K	Luminaire Mounting Type	Luminaire IP Rating	Luminaire Housing Color
SO	600	SN CM	3x1.5	1R	OF MF	100° 90°	20 25	8	3000 3500 4000	SP SM	IP21	BL black RAL 9005
	1200						20 25 30 35 40 45 50	9	3000 3500 4000			WH white RAL9016
	1700						30 35 40 45 50 55 60 65 70					
	2300						40 45 50 55 60 65 70 75					
	3400						60 70 80 90 100 110 120 130 140 150					

Beam angle option



The deviation of actual power consumption from the specified values does not exceed ±5%;
The luminous flux calculation is based on LEDs with a color temperature of 4000K, CRI80. The deviation of luminous flux from the specified values does not exceed ±10%

Technical details, as well as size and weight parameters were prepared as accurately as possible. All dimensions in mm. LED Lifetime Information - L90 / B10 at 25 °C ambient temperature. A tolerance of +/- 10% applies to luminous flux and performance characteristics. Minimum color rendering indices Ra > 80 / > 90. Product images are used as an example and may differ from the original. We reserve the right to make changes in order to improve the product.

Linda



LINE



DESCRIPTION

Luminaire for accent and general lighting Linda for solving complex problems. Aisle flood light or product accent lighting - Linda luminaire will solve any problem, thanks to a system with special optical systems.

The flexibility and innovation of this luminaire takes LED lighting to a new level.



Speed of installation and replacement.



Versatility. With this luminaire you can easily create a general or accent light.

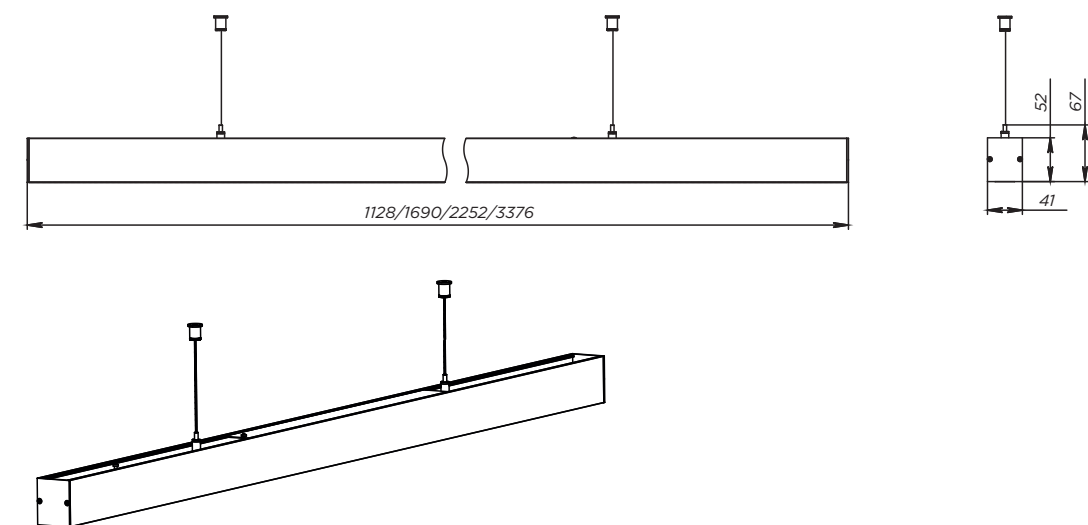


website

General specifications

Luminaire type	Line (linear light)
Purpose	general and accent lighting
Supply unit	Integrated LED driver
Normal voltage	230V, 50Hz
Lighting technology	LED SMD 2835
Optic	PMMA
Power factor	0.95
Cooling	passive
Body	aluminum
Weight	1.8/2.3/3.2/4.5 kg
Package	Single / group
Life time	50,000 hours.
Warranty	5 years/50,000 hours
Certification	CE, UKCA, UA

Dimensions



Application area



Linda

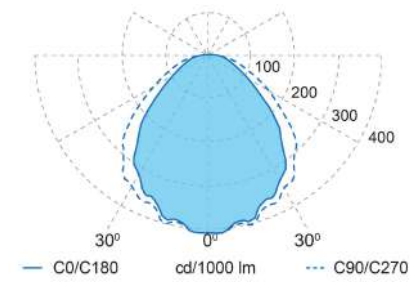


LINE

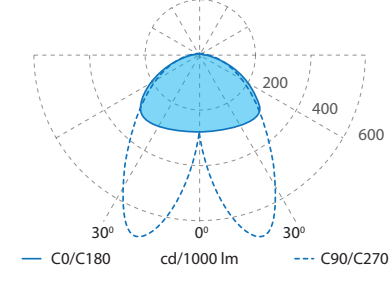
Nomenclature

Luminaire LINE Linda													SO	3400	CM	3x1.5	1R	LF	DS25Wx120	110W	840	SP	IP21	BL
Order type	Conditional length	Linear luminaire configuration	Type of main cable for a linear luminaire	Type of luminaire board	Luminaire Filter Type	Luminaire Beam Angle	Luminaire Power, W	CRI/ Color temperature, K	Luminaire Color Temperature, K	Luminaire Mounting Type	Luminaire IP Rating	Luminaire Housing Color												
SO	1200	SN CM	3x1.5	1R	LF	DS25Wx120 AS15Wx100 DS40Wx90	20	8 9	3000	SP	IP21	BL black RAL 9005 WH white RAL9016												
							25		3500															
							30		4000															
							35																	
	1700					90	30	3000 3500 4000																
							35																	
							40																	
							45																	
	2200						50																	
							55																	
							60																	
							65																	
	3400						70																	
							75																	
							80																	
							85																	

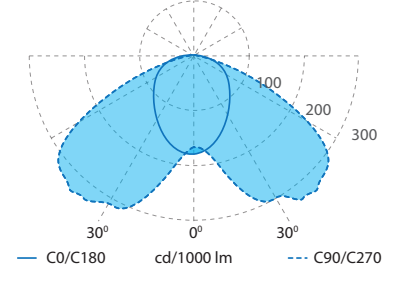
Beam angle option



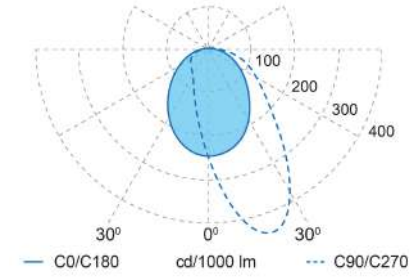
90°



DS25WX120



DS40Wx90



AS35Wx90

The deviation of actual power consumption from the specified values does not exceed ±5%;
The luminous flux calculation is based on LEDs with a color temperature of 4000K, CRI80. The deviation of luminous flux from the specified values does not exceed ±10%

Technical details, as well as size and weight parameters were prepared as accurately as possible. All dimensions in mm. LED Lifetime Information - L90 / B10 at 25 °C ambient temperature. A tolerance of +/- 10% applies to luminous flux and performance characteristics. Minimum color rendering indices Ra > 80 / > 90. Product images are used as an example and may differ from the original. We reserve the right to make changes in order to improve the product.

Baseline



LINE



DESCRIPTION

Style, design, and a great price are successfully combined in the Baseline linear trunking light.

Its popularity is unmatched, making it ideal for illuminating shelves and aisles, while also easily blending with various design solutions.



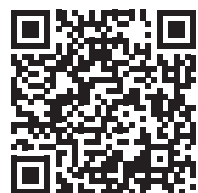
Versatility. With this lamp you can easily create a great ambient or to create a great ambient or accent lighting or accent lighting.



Power. Allows you to use fewer luminaires per project.



The ability to combine of optics. You can combine several optical elements in one luminaire for different lighting tasks on parallel shelves.

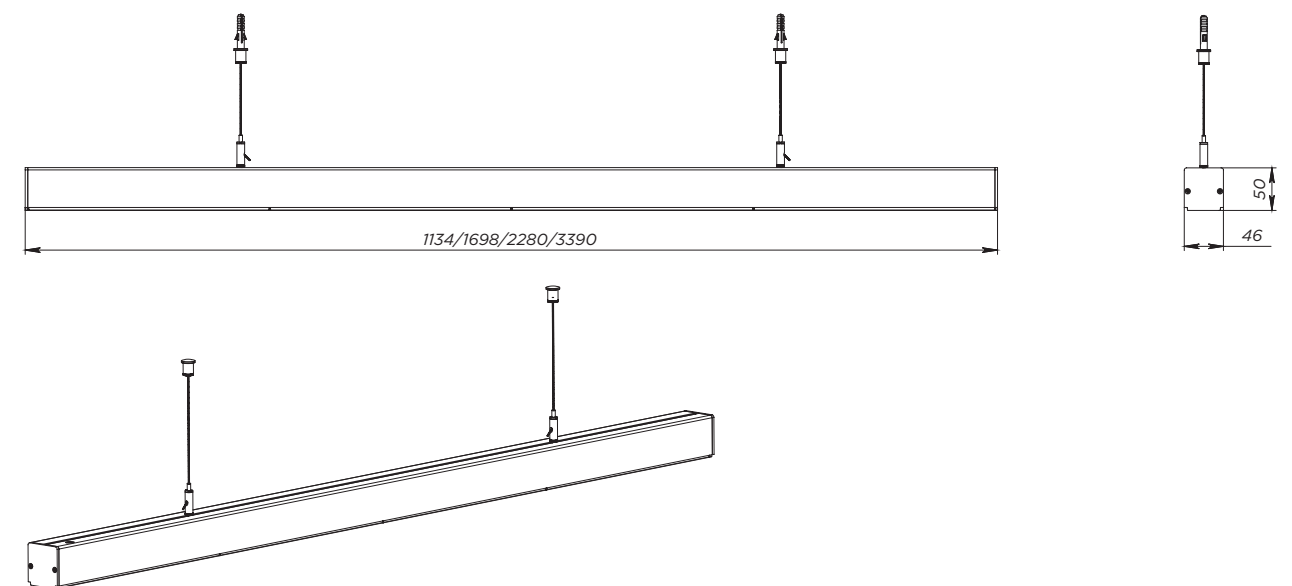


website

General specifications

Type of luminaire	Line (linear light)
Application areas	general lighting
Supply unit	LED Driver integrated
Nominal voltage	230V, 50Hz
Lighting technology	LED SMD 2835
Optic	PMMA
Power factor	0.95
Cooling	passive
Body	aluminum
Weight	1,5/2,5/3,2/4,5 kg
Package	Single / group
Life time	50,000 hours.
Warranty	5 years/50,000 hours
Certification	CE, UKCA, UA

Dimensions



Scope of application



Baseline

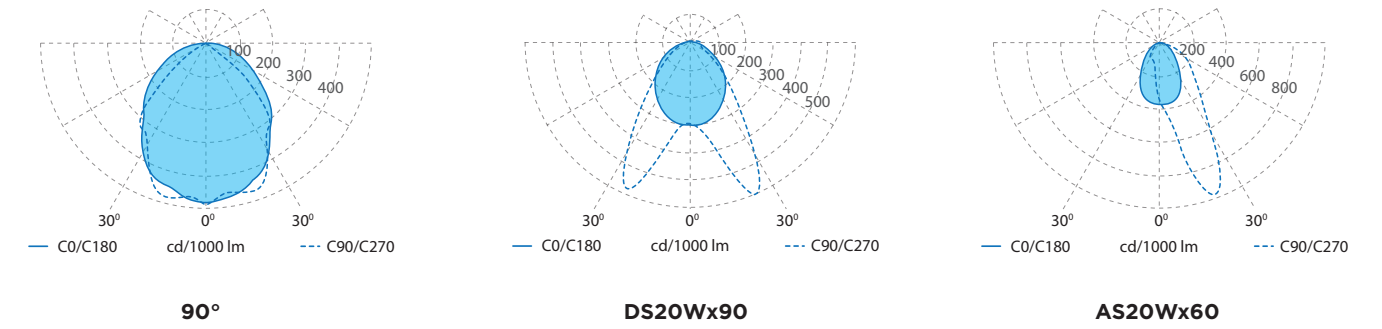


LINE

Nomenclature

Luminaire LINE Baseline													SO	1700	CM	3x1.5	1R	LF	90°	50W	840	SP	IP21	BL
Order Type	Conditional length	Linear luminaire configuration	Type of main cable for a linear luminaire	Type of luminaire board	Luminaire Filter Type	Luminaire Beam Angle	Luminaire Power, W	Luminaire Color Rendering Index (CRI)	Luminaire Color Temperature, K	Luminaire Mounting Type	Luminaire IP Rating	Luminaire Housing Color												
SO	1200	SN	3x1.5	1R	LF	90° DS20Wx90 AS20Wx60	25	8	3000 3500 4000	SP	IP21	BL black RAL 9005 WH white RAL9016												
		CM					30																	
		CE					35																	
	1700	CS					40																	
		CMR					45																	
		CSR					50																	
		CER					55																	
	2200	CML					45																	
		CSL					50																	
		CEL					55																	
							60																	
							65																	
	3400						70																	
							80																	
							90																	
							100																	
	110																							

Beam angle



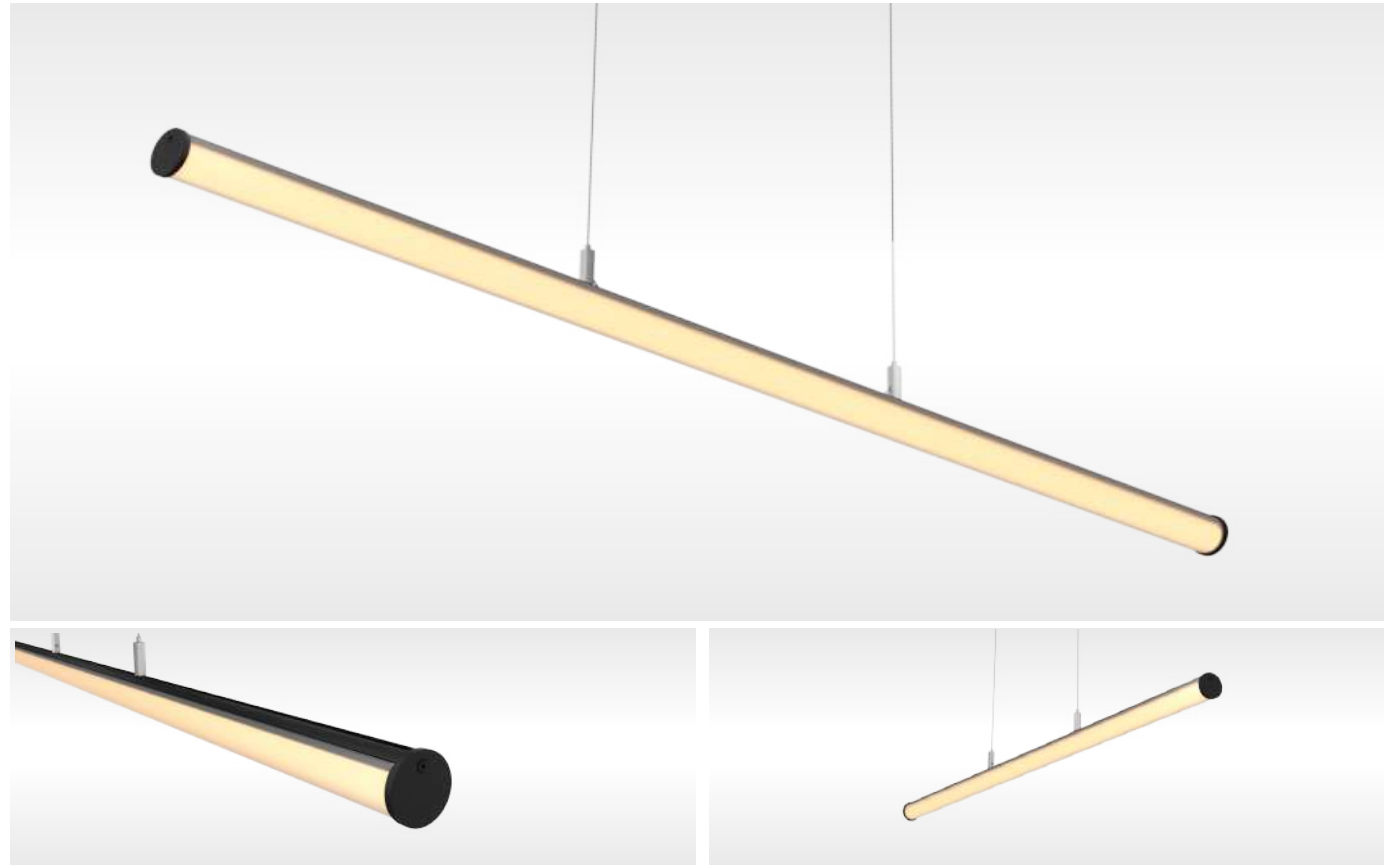
The deviation of actual power consumption from the specified values does not exceed ±5%;
The luminous flux calculation is based on LEDs with a color temperature of 4000K, CRI80. The deviation of luminous flux from the specified values does not exceed ±10%

Technical details, as well as size and weight parameters were prepared as accurately as possible. All dimensions in mm. LED Lifetime Information - L90 / B10 at 25 °C ambient temperature. A tolerance of +/- 10% applies to luminous flux and performance characteristics. Minimum color rendering indices Ra > 80 / > 90. Product images are used as an example and may differ from the original. We reserve the right to make changes in order to improve the product.

Astra S



LINE



DESCRIPTION

Elevate your lighting experience with Astra S luminaire. Merging elegance and functionality, this extraordinary luminaire not only provides general illumination but also adds a touch of sophistication to any space.

The Astra S luminaire - due to its appearance, it will become an excellent design addition to your interior.

Whether suspended above a dining table, illuminating a grand foyer, or making a statement in a contemporary office, Astra S effortlessly adapts to various environments, adding a touch of refinement and a sense of grandeur to every setting. Thanks to independent hangers, the Astra S can be hung at any angle and even on a sloping surface.



Laconic appearance.
Luminaire for design general lighting.



Versatility.
The luminaire can be hung at different angles to a horizontal surface.



One diffuser for soft general lighting.

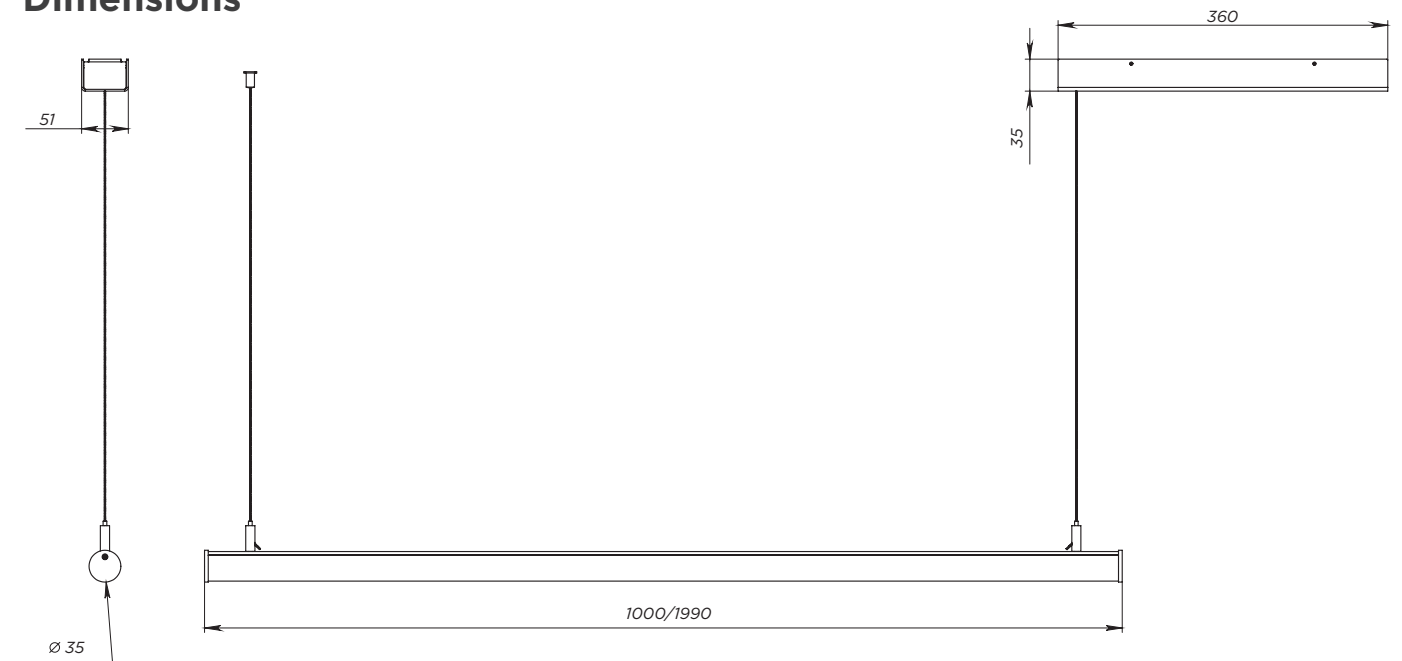


website

General specifications

Type of luminaire	Line (linear light)
Application areas	general lighting
Supply unit	LED driver
Nominal voltage	230V, 50Hz
Lighting technology	LED SMD 2835
Optic	PC
Power factor	0.95
Cooling	passive
Body	aluminum
Weight	1.2/1.6 kg.
Package	Single / group
Life time	50,000 hours.
Warranty	5 years/50,000 hours
Certification	CE, UKCA, UA

Dimensions



Scope of application



Astra S

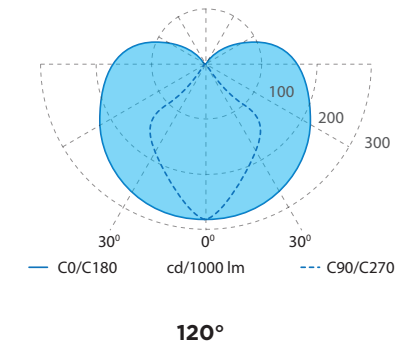


LINE

Nomenclature

Luminaire Astra S											
Order type	Conditional length	Type of luminaire board	Luminaire Filter Type	Luminaire Beam Angle	Luminaire Power, W	CRI/ Color temperature, K	Luminaire Color Temperature, K	Luminaire Mounting Type	Luminaire IP Rating	Luminaire Housing Color	
SO	1000 2000	1R	OF	120°	25 30	8	3500 4000	SP	IP20	BL	black RAL 9005
					25 30 35 40					WH	white RAL9016

Beam angle



The deviation of actual power consumption from the specified values does not exceed ±5%;
The luminous flux calculation is based on LEDs with a color temperature of 4000K, CRI80. The deviation of luminous flux from the specified values does not exceed ±10%

Technical details, as well as size and weight parameters were prepared as accurately as possible. All dimensions in mm. LED Lifetime Information - L90 / B10 at 25 °C ambient temperature. A tolerance of +/- 10% applies to luminous flux and performance characteristics. Minimum color rendering indices Ra > 80 / > 90. Product images are used as an example and may differ from the original. We reserve the right to make changes in order to improve the product.

Mirror X1



LINE



DESCRIPTION

LINE Mirror X1 is a fitting room luminaire designed for installation in the corner between two walls.

Its soft, diffused light eliminates shadows, providing a clear and flattering reflection that smooths facial features, enhances body contours, and improves the overall appearance. A perfect solution for fitting rooms where compact design and high-quality visual rendering are essential.



Minimalist format with perfect fit for corner installations



Smooth, glare-free light diffusion



Enhances appearance: no shadows or distortion

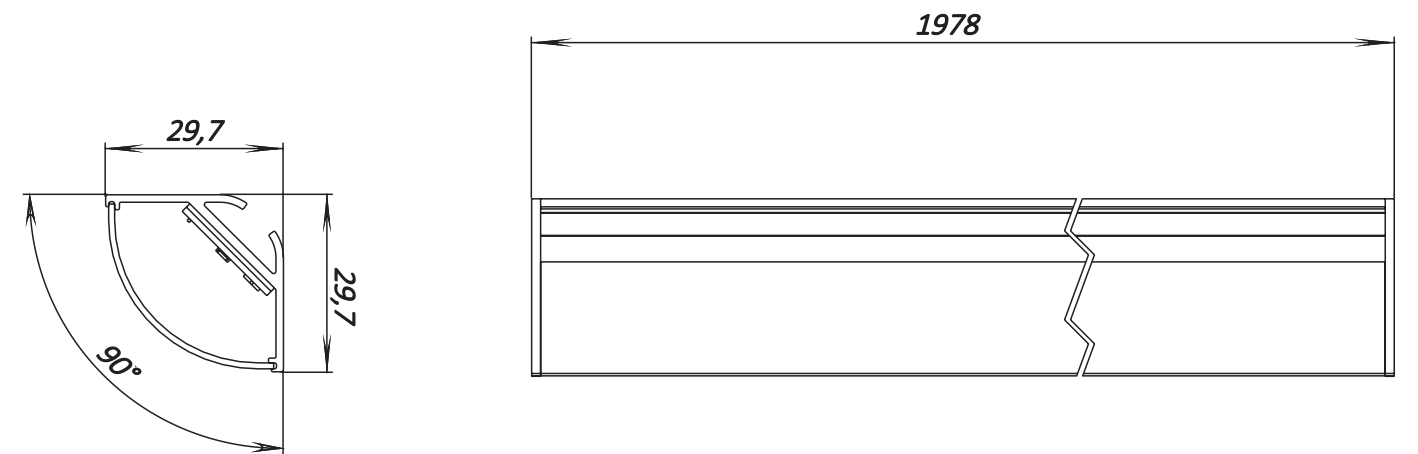


website

General specifications

Type of luminaire	Line (linear light)
Application areas	general lighting
Supply unit	LED driver
Nominal voltage	230V, 50Hz
Lighting technology	LED SMD 2835
Optic	PC
Power factor	0.95
Cooling	passive
Body	aluminum
Weight	0.7 kg
Package	Single
Life time	50,000 hours.
Warranty	5 years/50,000 hours
Certification	CE, UKCA, UA

Dimensions



Scope of application



Mirror X1

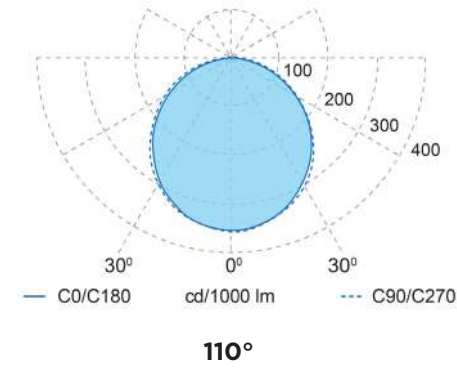


LINE

Nomenclature

Luminaire LINE Mirror X1											
Order type	Conditional length	Linear luminaire configuration	Type of luminaire board	Luminaire Filter Type	Luminaire Beam Angle	Luminaire Power, W	ICRI/ Color temperature, K	Luminaire Color Temperature, K	Luminaire Mounting Type	Luminaire IP Rating	Luminaire Housing Color
SO	2000	SN	1R	OF	110°	16 22	8 9	3000 3500 4000	SM	IP21	BL black RAL 9005 WH white RAL9016 NC

Beam angle



The deviation of actual power consumption from the specified values does not exceed $\pm 5\%$;
The luminous flux calculation is based on LEDs with a color temperature of 4000K, CRI80. The deviation of luminous flux from the specified values does not exceed $\pm 10\%$

Technical details, as well as size and weight parameters were prepared as accurately as possible. All dimensions in mm. LED Lifetime Information - L90 / B10 at 25 °C ambient temperature. A tolerance of $\pm 10\%$ applies to luminous flux and performance characteristics. Minimum color rendering indices $R_a > 80 / > 90$. Product images are used as an example and may differ from the original. We reserve the right to make changes in order to improve the product.

Mirror X2



LINE



DESCRIPTION

LINE Mirror X2 is a dual luminaire mounted symmetrically on both sides of the mirror. A single power connection supplies both luminaires, simplifying installation and reducing costs.

Its soft, shadow-free light delivers a clear and pleasant reflection, smoothing facial lines, making the figure appear slimmer, and enhancing the customer's overall look. The compact design also fits well into corner areas.



Minimalist format with perfect fit for corner installations



Smooth, glare-free light diffusion



Enhances appearance: no shadows or distortion

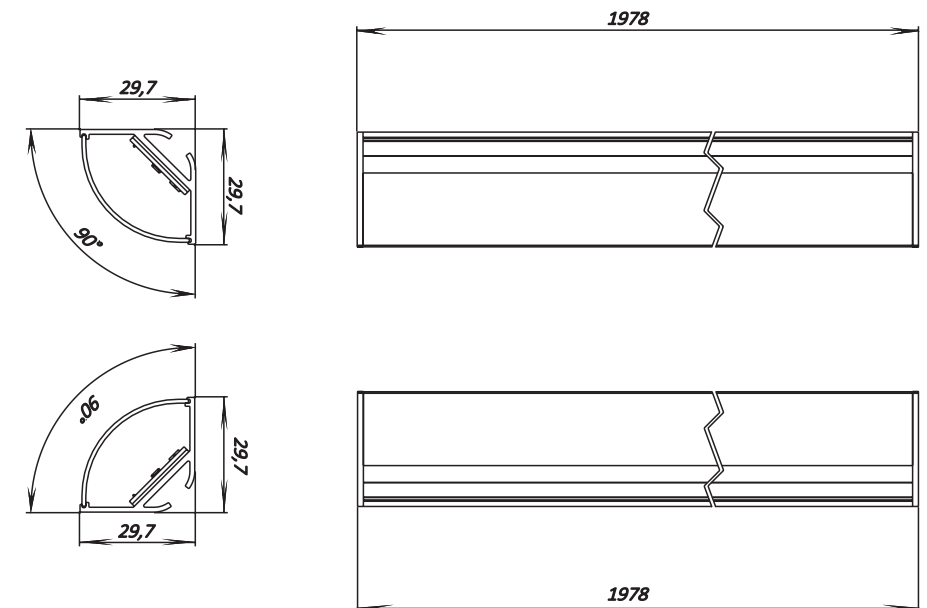


website

General specifications

Type of luminaire	Line (linear light)
Application areas	general lighting
Supply unit	LED driver
Nominal voltage	230V, 50Hz
Lighting technology	LED SMD 2835
Optic	PC
Power factor	0.95
Cooling	passive
Body	aluminum
Weight	1.4 kg
Package	Single / group
Life time	50,000 hours.
Warranty	5 years/50,000 hours
Certification	CE, UKCA, UA

Dimensions



Scope of application



Mirror X2

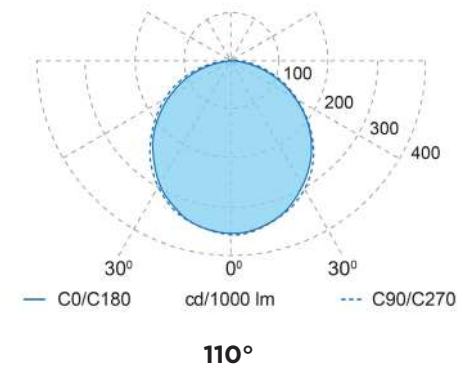


LINE

Nomenclature

Luminaire LINE Mirror X2											
Order type	Conditional length	Linear luminaire configuration	Type of luminaire board	Luminaire Filter Type	Luminaire Beam Angle	Luminaire Power, W	ICRI/ Color temperature, K	Luminaire Color Temperature, K	Luminaire Mounting Type	Luminaire IP Rating	Luminaire Housing Color
SO	2x2000	SN	1R	OF	110°	32 42	8 9	3000 3500 4000	SM	IP21	BL black RAL 9005 WH white RAL9016 NC

Beam angle



The deviation of actual power consumption from the specified values does not exceed ±5%;
The luminous flux calculation is based on LEDs with a color temperature of 4000K, CRI80. The deviation of luminous flux from the specified values does not exceed ±10%

Technical details, as well as size and weight parameters were prepared as accurately as possible. All dimensions in mm. LED Lifetime Information - L90 / B10 at 25 °C ambient temperature. A tolerance of +/- 10% applies to luminous flux and performance characteristics. Minimum color rendering indices Ra > 80 / > 90. Product images are used as an example and may differ from the original. We reserve the right to make changes in order to improve the product.

Alba

LINE



DESCRIPTION

The Alba one-row industrial LED light fitting features a diffuser made of translucent polycarbonate. It is designed for use in industrial indoor and covered outdoor spaces, such as warehouses, sports facilities, workshops, garages, transport terminals, utility structures, and laboratories where there is no risk of gas, dust, or combustible fumes.

The light fitting is resistant to dust, moisture, and splashing water, with both the body and diffuser made from impact-resistant and deformation-resistant polycarbonate.



Durable and Versatile.

Impact-resistant polycarbonate and IP66 rating for reliable performance in harsh conditions.



Wide Temperature Range and Longevity.

Operates from -25°C to 45°C with a 50,000-hour lifespan.



Flexible Mounting and Easy Installation.

Multiple mounting options and screwless terminals for quick setup.

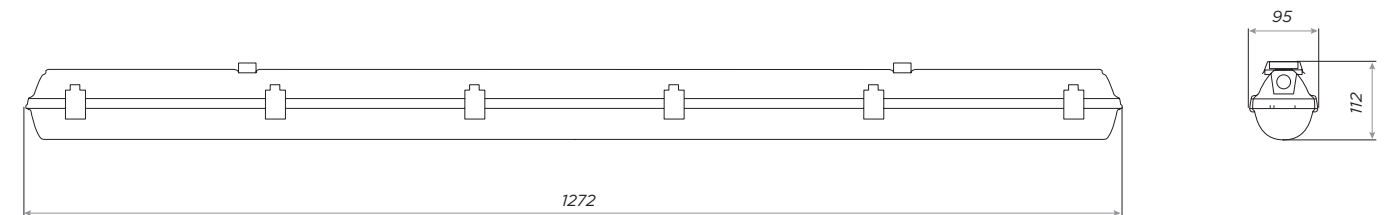


website

General specifications

Type of luminaire	Line (linear light)
Application areas	general lighting
Supply unit	LED driver
Nominal voltage	230V, 50Hz
Lighting technology	LED SMD 2835
Optic	PC
Power factor	0.95
Optical System Durability	IK10
Cooling	passive
Body	PC, IP66
Weight	1.85 kg
Package	Single / group
Life time	50,000 hours.
Warranty	5 years/50,000 hours
Certification	CE, UKCA, UA

Dimensions



Scope of application



Alba

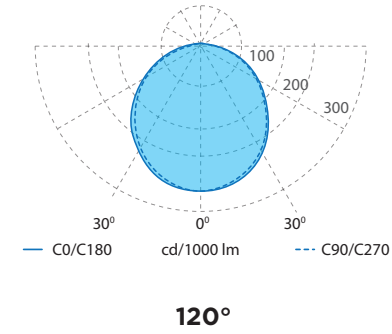


LINE

Nomenclature

Luminaire LINE Alba											CO	1200	1R	OF	120°	26W	3830Lm	840	SP	IP65	NC
Order type	Conditional length	Type of luminaire board	Luminaire Filter Type	Luminaire Beam Angle	Luminaire Power, W	Luminous Flux, Lm	CRI/ Color temperature, K	Luminaire Mounting Type		Luminaire IP Rating	Luminaire Housing Color										
CO	1200	1R	OF	120°	26	3830	840 CRI80, 4000	SP	SM	IP65	NC										

Beam angle



The deviation of actual power consumption from the specified values does not exceed $\pm 5\%$;
 The luminous flux calculation is based on LEDs with a color temperature of 4000K, CRI80. The deviation of luminous flux from the specified values does not exceed $\pm 10\%$

Technical details, as well as size and weight parameters were prepared as accurately as possible. All dimensions in mm. LED Lifetime Information - L90 / B10 at 25 °C ambient temperature. A tolerance of $\pm 10\%$ applies to luminous flux and performance characteristics. Minimum color rendering indices $R_a > 80 / > 90$. Product images are used as an example and may differ from the original. We reserve the right to make changes in order to improve the product.

AVA TECH™

Germany

55127 Mainz
Sophie-Christ. Str 4
+49 6131 3277606
info@ava-tech.de

Poland

Al. Krakowska 110/114, B26,
02-256 Warszawa
+48 733 173 123
office@avatech.com.pl

Official Sales Department in Poland

Profilight Group Sp. z o.o.
Al. Krakowska 110/114, B80
02-256 Warszawa
+48 793 082 589
info@ledlike.pl

Ukraine

Vaclav Havel Blvd. 4
Kyiv, 03124
+38 (067) 386 44 74
office@ava-tech.com.ua

United Kingdom

4 Cornish Court, Cats Lane
CO10 2JG Sudbury
+44 7900 275 430
officeuk@avatech.uk.com

Greece

Analipseos
Koumoundourou 103, A4
VOLOS
+302421183056
s.samoilov@ava-tech.de

