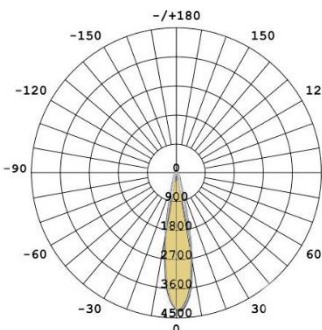
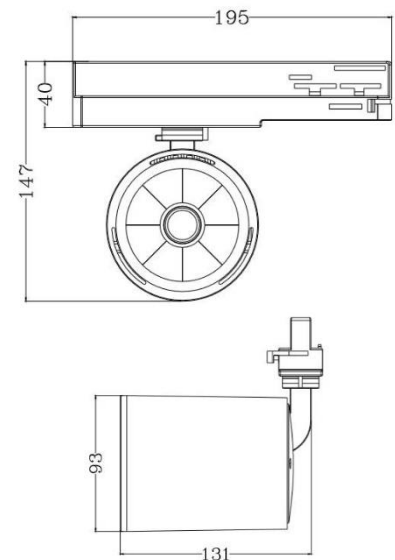


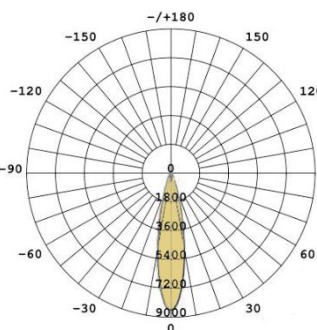
Track light

Mio LED

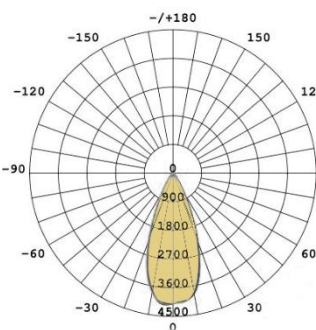
| | |
|---------------------------|---|
| Rodzaj oprawy | Track |
| Zastosowanie | Oświetlenie akcentujące |
| Typ mocowania | Na szynoprzewodzie (adapter trójfazowy) |
| Zakres pochylenia | 355°/90° |
| Zasilanie | Wbudowany zasilacz LED (zasilacz DALI LED na zamówienie) 220V, 50Hz |
| Moc | 18 W, 22 W, 27 W |
| Źródło światła | LED COB |
| Optyka | Odbłyśnik aluminiowy MIRO-Silver® |
| Kąt rozsyłu światła | 20°, 30°, 45°, 60° |
| Strumień świetlny | 1690 - 4077 Lm |
| Temperatura barwowa (CCT) | 2700 K, 3000 K, 3500, 4000 K, 5000K |
| CRI | 80 - 97 |
| Współczynnik mocy | 0,95 |
| Stopień ochrony | IP20 |
| Chłodzenie | Pasywne |
| Obudowa | Odlew aluminiowy |
| Kolor obudowy | Czarny, biały (niestandardowe kolory na zamówienie) |
| Waga | 1 kg |
| Żywotność | 50 000 h |
| Gwarancja | 5 lat |
| Certyfikaty | ROHS, CE |



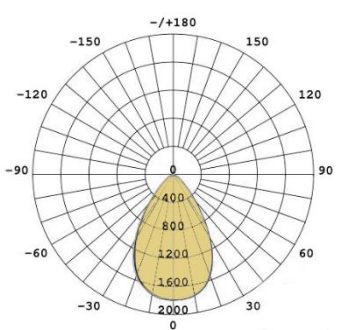
Mio 20 LED



Mio 30 LED



Mio 45 LED



Mio 60 LED

Szczegóły techniczne, parametry, wielkość i waga zostały przygotowane tak dokładnie, jak to możliwe. Trwałości diod LED - L90 / B10 przy temperaturze otoczenia 25°C. Tolerancja +/- 10% KCC. Minimalne wskaźniki oddawania barw Ra > 80 / > 90. Zdjęcia produktów są poglądowe. Zastrzegamy sobie prawo do wprowadzania zmian w celu ulepszenia produktu.

Mio LED

Karta Katalogowa

| Model | BA | Moc | CRI | CCT | Strumień świetlny |
|--------------------------------------|-----|------|-----|--------|-------------------|
| 20 LED 18W/827 W 20 LED 18W/827 B | 20° | 18 W | 80 | 2700 K | 1930 Lm |
| 20 LED 18W/830 W 20 LED 18W/830 B | 20° | 18 W | 80 | 3000 K | 2310 Lm |
| 20 LED 18W/835 W 20 LED 18W/835 B | 20° | 18 W | 80 | 3500 K | 2520 Lm |
| 20 LED 18W/840 W 20 LED 18W/840 B | 20° | 18 W | 80 | 4000 K | 2718 Lm |
| 20 LED 18W/850 W 20 LED 18W/850 B | 20° | 18 W | 80 | 5000 K | 2718 Lm |
| 30 LED 18W/827 W 30 LED 18W/827 B | 30° | 18 W | 80 | 2700 K | 1930 Lm |
| 30 LED 18W/830 W 30 LED 18W/830 B | 30° | 18 W | 80 | 3000 K | 2310 Lm |
| 30 LED 18W/835 W 30 LED 18W/835 B | 30° | 18 W | 80 | 3500 K | 2520 Lm |
| 30 LED 18W/840 W 30 LED 18W/840 B | 30° | 18 W | 80 | 4000 K | 2718 Lm |
| 30 LED 18W/850 W 30 LED 18W/850 B | 30° | 18 W | 80 | 5000 K | 2718 Lm |
| 40 LED 18W/827 W 40 LED 18W/827 B | 40° | 18 W | 80 | 2700 K | 1930 Lm |
| 40 LED 18W/830 W 40 LED 18W/830 B | 40° | 18 W | 80 | 3000 K | 2310 Lm |
| 40 LED 18W/835 W 40 LED 18W/835 B | 40° | 18 W | 80 | 3500 K | 2520 Lm |
| 40 LED 18W/840 W 40 LED 18W/840 B | 40° | 18 W | 80 | 4000 K | 2718 Lm |
| 40 LED 18W/850 W 40 LED 18W/850 B | 40° | 18 W | 80 | 5000 K | 2718 Lm |
| 60 LED 18W/827 W 60 LED 18W/827 B | 60° | 18 W | 80 | 2700 K | 1930 Lm |
| 60 LED 18W/830 W 60 LED 18W/830 B | 60° | 18 W | 80 | 3000 K | 2310 Lm |
| 60 LED 18W/835 W 60 LED 18W/835 B | 60° | 18 W | 80 | 3500 K | 2520 Lm |
| 60 LED 18W/840 W 60 LED 18W/840 B | 60° | 18 W | 80 | 4000 K | 2718 Lm |
| 60 LED 18W/850 W 60 LED 18W/850 B | 60° | 18 W | 80 | 5000 K | 2718 Lm |
| 20 LED 22W/827 W 20 LED 22W/827 B | 20° | 22 W | 80 | 2700 K | 2359 Lm |
| 20 LED 22W/830 W 20 LED 22W/830 B | 20° | 22 W | 80 | 3000 K | 2823 Lm |
| 20 LED 22W/835 W 20 LED 22W/835 B | 20° | 22 W | 80 | 3500 K | 3080 Lm |
| 20 LED 22W/840 W 20 LED 22W/840 B | 20° | 22 W | 80 | 4000 K | 3322 Lm |
| 20 LED 22W/850 W 20 LED 22W/850 B | 20° | 22 W | 80 | 5000 K | 3322 Lm |

Szczegóły techniczne, parametry, wielkość i waga zostały przygotowane tak dokładnie, jak to możliwe. Trwałości diod LED - L90 / B10 przy temperaturze otoczenia 25°C. Tolerancja +/- 10% KCC. Minimalne wskaźniki oddawania barw Ra > 80 / > 90. Zdjęcia produktów są poglądowe. Zastrzegamy sobie prawo do wprowadzania zmian w celu ulepszenia produktu.

Mio LED

Karta Katalogowa

| Model | BA | Moc | CRI | CCT | Strumień świetlny |
|--------------------------------------|-----|------|-----|--------|-------------------|
| 30 LED 22W/827 W 30 LED 22W/827 B | 30° | 22 W | 80 | 2700 K | 2359 Lm |
| 30 LED 22W/830 W 30 LED 22W/830 B | 30° | 22 W | 80 | 3000 K | 2823 Lm |
| 30 LED 22W/835 W 30 LED 22W/835 B | 30° | 22 W | 80 | 3500 K | 3080 Lm |
| 30 LED 22W/840 W 30 LED 22W/840 B | 30° | 22 W | 80 | 4000 K | 3322 Lm |
| 30 LED 22W/850 W 30 LED 22W/850 B | 30° | 22 W | 80 | 5000 K | 3322 Lm |
| 40 LED 22W/827 W 40 LED 22W/827 B | 40° | 22 W | 80 | 2700 K | 2359 Lm |
| 40 LED 22W/830 W 40 LED 22W/830 B | 40° | 22 W | 80 | 3000 K | 2823 Lm |
| 40 LED 22W/835 W 40 LED 22W/835 B | 40° | 22 W | 80 | 3500 K | 3080 Lm |
| 40 LED 22W/840 W 40 LED 22W/840 B | 40° | 22 W | 80 | 4000 K | 3322 Lm |
| 40 LED 22W/850 W 40 LED 22W/850 B | 40° | 22 W | 80 | 5000 K | 3322 Lm |
| 60 LED 22W/827 W 60 LED 22W/827 B | 60° | 22 W | 80 | 2700 K | 2359 Lm |
| 60 LED 22W/830 W 60 LED 22W/830 B | 60° | 22 W | 80 | 3000 K | 2823 Lm |
| 60 LED 22W/835 W 60 LED 22W/835 B | 60° | 22 W | 80 | 3500 K | 3080 Lm |
| 60 LED 22W/840 W 60 LED 22W/840 B | 60° | 22 W | 80 | 4000 K | 3322 Lm |
| 60 LED 22W/850 W 60 LED 22W/850 B | 60° | 22 W | 80 | 5000 K | 3322 Lm |
| 20 LED 27W/827 W 20 LED 27W/827 B | 20° | 27 W | 80 | 2700 K | 2895 Lm |
| 20 LED 27W/830 W 20 LED 27W/830 B | 20° | 27 W | 80 | 3000 K | 3465 Lm |
| 20 LED 27W/835 W 20 LED 27W/835 B | 20° | 27 W | 80 | 3500 K | 3780 Lm |
| 20 LED 27W/840 W 20 LED 27W/840 B | 20° | 27 W | 80 | 4000 K | 4077 Lm |
| 20 LED 27W/850 W 20 LED 27W/850 B | 20° | 27 W | 80 | 5000 K | 4077 Lm |
| 30 LED 27W/827 W 30 LED 27W/827 B | 30° | 27 W | 80 | 2700 K | 2895 Lm |
| 30 LED 27W/830 W 30 LED 27W/830 B | 30° | 27 W | 80 | 3000 K | 3465 Lm |
| 30 LED 27W/835 W 30 LED 27W/835 B | 30° | 27 W | 80 | 3500 K | 3780 Lm |
| 30 LED 27W/840 W 30 LED 27W/840 B | 30° | 27 W | 80 | 4000 K | 4077 Lm |
| 30 LED 27W/850 W 30 LED 27W/850 B | 30° | 27 W | 80 | 5000 K | 4077 Lm |

Szczegóły techniczne, parametry, wielkość i waga zostały przygotowane tak dokładnie, jak to możliwe. Trwałości diod LED - L90 / B10 przy temperaturze otoczenia 25°C. Tolerancja +/- 10% KCC. Minimalne wskaźniki oddawania barw Ra > 80 / > 90. Zdjęcia produktów są poglądowe. Zastrzegamy sobie prawo do wprowadzania zmian w celu ulepszenia produktu.

Mio LED

Karta Katalogowa

| Model | BA | Moc | CRI | CCT | Strumień świetlny |
|--------------------------------------|-----|------|-----|--------|-------------------|
| 40 LED 27W/827 W 40 LED 27W/827 B | 40° | 27 W | 80 | 2700 K | 2895 Lm |
| 40 LED 27W/830 W 40 LED 27W/830 B | 40° | 27 W | 80 | 3000 K | 3465 Lm |
| 40 LED 27W/835 W 40 LED 27W/835 B | 40° | 27 W | 80 | 3500 K | 3780 Lm |
| 40 LED 27W/840 W 40 LED 27W/840 B | 40° | 27 W | 80 | 4000 K | 4077 Lm |
| 40 LED 27W/850 W 40 LED 27W/850 B | 40° | 27 W | 80 | 5000 K | 4077 Lm |
| 60 LED 27W/827 W 60 LED 27W/827 B | 60° | 27 W | 80 | 2700 K | 2895 Lm |
| 60 LED 27W/830 W 60 LED 27W/830 B | 60° | 27 W | 80 | 3000 K | 3465 Lm |
| 60 LED 27W/835 W 60 LED 27W/835 B | 60° | 27 W | 80 | 3500 K | 3780 Lm |
| 60 LED 27W/840 W 60 LED 27W/840 B | 60° | 27 W | 80 | 4000 K | 4077 Lm |
| 60 LED 27W/850 W 60 LED 27W/850 B | 60° | 27 W | 80 | 5000 K | 4077 Lm |
| 20 LED 18W/927 W 20 LED 18W/927 B | 20° | 18 W | 90 | 2700 K | 1690 Lm |
| 20 LED 18W/930 W 20 LED 18W/930 B | 20° | 18 W | 90 | 3000 K | 2038 Lm |
| 20 LED 18W/935 W 20 LED 18W/935 B | 20° | 18 W | 90 | 3500 K | 2209 Lm |
| 20 LED 18W/940 W 20 LED 18W/940 B | 20° | 18 W | 90 | 4000 K | 2380 Lm |
| 20 LED 18W/950 W 20 LED 18W/950 B | 20° | 18 W | 90 | 5000 K | 2380 Lm |
| 30 LED 18W/927 W 30 LED 18W/927 B | 30° | 18 W | 90 | 2700 K | 1690 Lm |
| 30 LED 18W/930 W 30 LED 18W/930 B | 30° | 18 W | 90 | 3000 K | 2038 Lm |
| 30 LED 18W/935 W 30 LED 18W/935 B | 30° | 18 W | 90 | 3500 K | 2209 Lm |
| 30 LED 18W/940 W 30 LED 18W/940 B | 30° | 18 W | 90 | 4000 K | 2380 Lm |
| 30 LED 18W/950 W 30 LED 18W/950 B | 30° | 18 W | 90 | 5000 K | 2380 Lm |
| 40 LED 18W/927 W 40 LED 18W/927 B | 40° | 18 W | 90 | 2700 K | 1690 Lm |
| 40 LED 18W/930 W 40 LED 18W/930 B | 40° | 18 W | 90 | 3000 K | 2038 Lm |
| 40 LED 18W/935 W 40 LED 18W/935 B | 40° | 18 W | 90 | 3500 K | 2209 Lm |
| 40 LED 18W/940 W 40 LED 18W/940 B | 40° | 18 W | 90 | 4000 K | 2380 Lm |
| 40 LED 18W/950 W 40 LED 18W/950 B | 40° | 18 W | 90 | 5000 K | 2380 Lm |

Szczegóły techniczne, parametry, wielkość i waga zostały przygotowane tak dokładnie, jak to możliwe. Trwałości diod LED - L90 / B10 przy temperaturze otoczenia 25°C. Tolerancja +/- 10% KCC. Minimalne wskaźniki oddawania barw Ra > 80 / > 90. Zdjęcia produktów są poglądowe. Zastrzegamy sobie prawo do wprowadzania zmian w celu ulepszenia produktu.

Mio LED

Karta Katalogowa

| Model | BA | Moc | CRI | CCT | Strumień świetlny |
|--------------------------------------|-----|------|-----|--------|-------------------|
| 60 LED 18W/927 W 60 LED 18W/927 B | 60° | 18 W | 90 | 2700 K | 1690 Lm |
| 60 LED 18W/930 W 60 LED 18W/930 B | 60° | 18 W | 90 | 3000 K | 2038 Lm |
| 60 LED 18W/935 W 60 LED 18W/935 B | 60° | 18 W | 90 | 3500 K | 2209 Lm |
| 60 LED 18W/940 W 60 LED 18W/940 B | 60° | 18 W | 90 | 4000 K | 2380 Lm |
| 60 LED 18W/950 W 60 LED 18W/950 B | 60° | 18 W | 90 | 5000 K | 2380 Lm |
| 20 LED 22W/927 W 20 LED 22W/927 B | 20° | 22 W | 90 | 2700 K | 2065 Lm |
| 20 LED 22W/930 W 20 LED 22W/930 B | 20° | 22 W | 90 | 3000 K | 2491 Lm |
| 20 LED 22W/935 W 20 LED 22W/935 B | 20° | 22 W | 90 | 3500 K | 2700 Lm |
| 20 LED 22W/940 W 20 LED 22W/940 B | 20° | 22 W | 90 | 4000 K | 2908 Lm |
| 20 LED 22W/950 W 20 LED 22W/950 B | 20° | 22 W | 90 | 5000 K | 2908 Lm |
| 30 LED 22W/927 W 30 LED 22W/927 B | 30° | 22 W | 90 | 2700 K | 2065 Lm |
| 30 LED 22W/930 W 30 LED 22W/930 B | 30° | 22 W | 90 | 3000 K | 2491 Lm |
| 30 LED 22W/935 W 30 LED 22W/935 B | 30° | 22 W | 90 | 3500 K | 2700 Lm |
| 30 LED 22W/940 W 30 LED 22W/940 B | 30° | 22 W | 90 | 4000 K | 2908 Lm |
| 30 LED 22W/950 W 30 LED 22W/950 B | 30° | 22 W | 90 | 5000 K | 2908 Lm |
| 40 LED 22W/927 W 40 LED 22W/927 B | 40° | 22 W | 90 | 2700 K | 2065 Lm |
| 40 LED 22W/930 W 40 LED 22W/930 B | 40° | 22 W | 90 | 3000 K | 2491 Lm |
| 40 LED 22W/935 W 40 LED 22W/935 B | 40° | 22 W | 90 | 3500 K | 2700 Lm |
| 40 LED 22W/940 W 40 LED 22W/940 B | 40° | 22 W | 90 | 4000 K | 2908 Lm |
| 40 LED 22W/950 W 40 LED 22W/950 B | 40° | 22 W | 90 | 5000 K | 2908 Lm |
| 60 LED 22W/927 W 60 LED 22W/927 B | 60° | 22 W | 90 | 2700 K | 2065 Lm |
| 60 LED 22W/930 W 60 LED 22W/930 B | 60° | 22 W | 90 | 3000 K | 2491 Lm |
| 60 LED 22W/935 W 60 LED 22W/935 B | 60° | 22 W | 90 | 3500 K | 2700 Lm |
| 60 LED 22W/940 W 60 LED 22W/940 B | 60° | 22 W | 90 | 4000 K | 2908 Lm |
| 60 LED 22W/950 W 60 LED 22W/950 B | 60° | 22 W | 90 | 5000 K | 2908 Lm |

Szczegóły techniczne, parametry, wielkość i waga zostały przygotowane tak dokładnie, jak to możliwe. Trwałości diod LED - L90 / B10 przy temperaturze otoczenia 25°C. Tolerancja +/- 10% KCC. Minimalne wskaźniki oddawania barw Ra > 80 / > 90. Zdjęcia produktów są poglądowe. Zastrzegamy sobie prawo do wprowadzania zmian w celu ulepszenia produktu.

Mio LED

Karta Katalogowa

| Model | BA | Moc | CRI | CCT | Strumień świetlny |
|--------------------------------------|-----|------|-----|--------|-------------------|
| 20 LED 27W/927 W 20 LED 27W/927 B | 20° | 27 W | 90 | 2700 K | 2535 Lm |
| 20 LED 27W/930 W 20 LED 27W/930 B | 20° | 27 W | 90 | 3000 K | 3057 Lm |
| 20 LED 27W/935 W 20 LED 27W/935 B | 20° | 27 W | 90 | 3500 K | 3313 Lm |
| 20 LED 27W/940 W 20 LED 27W/940 B | 20° | 27 W | 90 | 4000 K | 3569 Lm |
| 20 LED 27W/950 W 20 LED 27W/950 B | 20° | 27 W | 90 | 5000 K | 3569 Lm |
| 30 LED 27W/927 W 30 LED 27W/927 B | 30° | 27 W | 90 | 2700 K | 2535 Lm |
| 30 LED 27W/930 W 30 LED 27W/930 B | 30° | 27 W | 90 | 3000 K | 3057 Lm |
| 30 LED 27W/935 W 30 LED 27W/935 B | 30° | 27 W | 90 | 3500 K | 3313 Lm |
| 30 LED 27W/940 W 30 LED 27W/940 B | 30° | 27 W | 90 | 4000 K | 3569 Lm |
| 30 LED 27W/950 W 30 LED 27W/950 B | 30° | 27 W | 90 | 5000 K | 3569 Lm |
| 40 LED 27W/927 W 40 LED 27W/927 B | 40° | 27 W | 90 | 2700 K | 2535 Lm |
| 40 LED 27W/930 W 40 LED 27W/930 B | 40° | 27 W | 90 | 3000 K | 3057 Lm |
| 40 LED 27W/935 W 40 LED 27W/935 B | 40° | 27 W | 90 | 3500 K | 3313 Lm |
| 40 LED 27W/940 W 40 LED 27W/940 B | 40° | 27 W | 90 | 4000 K | 3569 Lm |
| 40 LED 27W/950 W 40 LED 27W/950 B | 40° | 27 W | 90 | 5000 K | 3569 Lm |
| 60 LED 27W/927 W 60 LED 27W/927 B | 60° | 27 W | 90 | 2700 K | 2535 Lm |
| 60 LED 27W/930 W 60 LED 27W/930 B | 60° | 27 W | 90 | 3000 K | 3057 Lm |
| 60 LED 27W/935 W 60 LED 27W/935 B | 60° | 27 W | 90 | 3500 K | 3313 Lm |
| 60 LED 27W/940 W 60 LED 27W/940 B | 60° | 27 W | 90 | 4000 K | 3569 Lm |
| 60 LED 27W/950 W 60 LED 27W/950 B | 60° | 27 W | 90 | 5000 K | 3569 Lm |

Szczegóły techniczne, parametry, wielkość i waga zostały przygotowane tak dokładnie, jak to możliwe. Trwałości diod LED - L90 / B10 przy temperaturze otoczenia 25°C. Tolerancja +/- 10% KCC. Minimalne wskaźniki oddawania barw Ra > 80 / > 90. Zdjęcia produktów są poglądowe. Zastrzegamy sobie prawo do wprowadzania zmian w celu ulepszenia produktu.